

Bona[®]

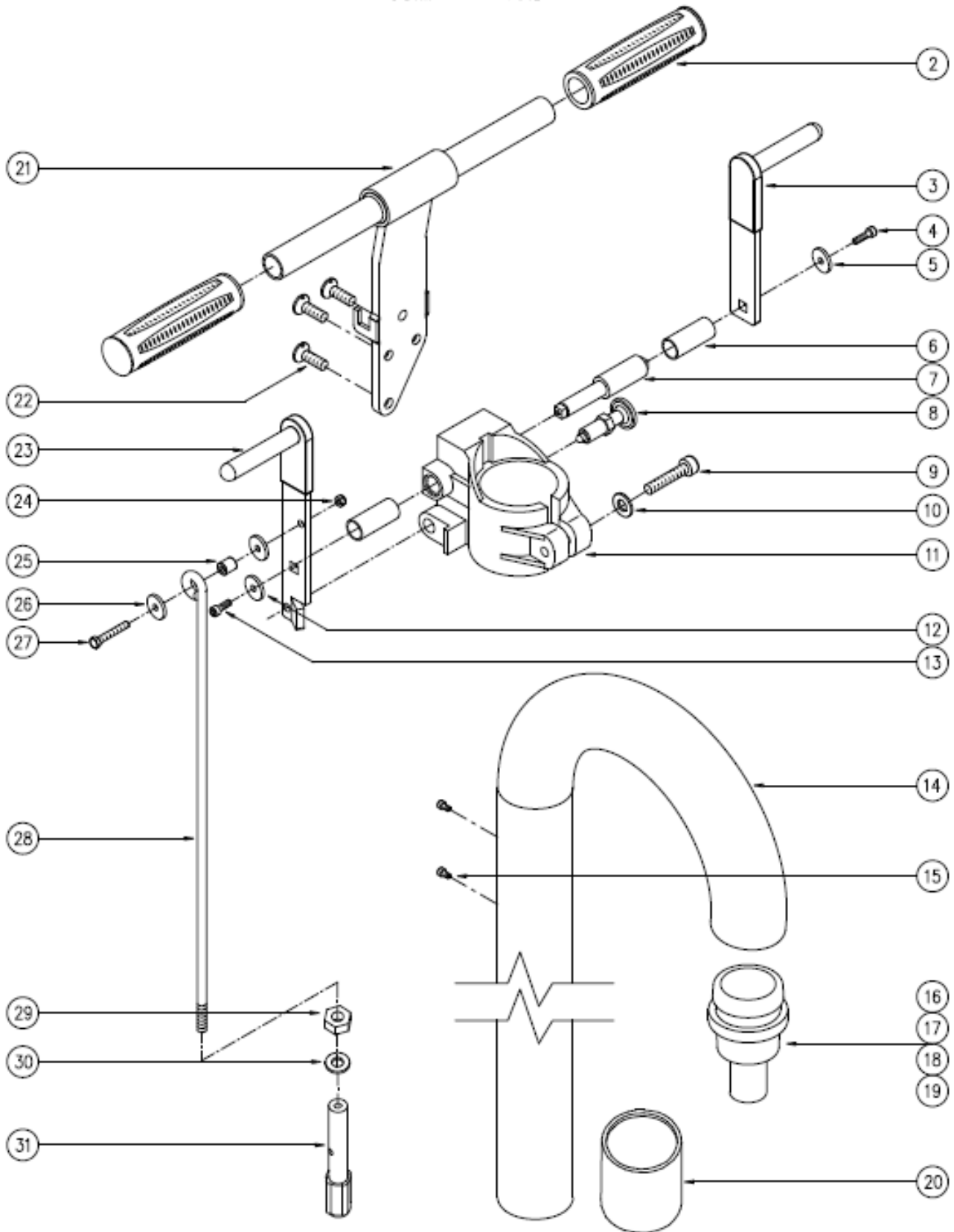
Belt UX
P/N: AMK173100

KT-BONA
 Page 1/15
 Januar2023

SPARE PARTS PAGE 1 of 15

ITEM	PART NUMBER	DESCRIPTION	Q.TY
1	ASO539050	HOSE CLAMP 1.5"+HANDWHEEL	1
2	ASK2099940199	COMPLETE HANDLE ASSEMBLY	1
3	ASK2099940253BKT	DRUM PRESSURE ADJUSTMENT ASSEMBLY	1
4	ASK6900030006	TROLLEY PLATE	1
5	ASK5801930008	NUT M8 (UNI 5588)	1
6	ASO948425	FLANGED BUSHING-2992 JF14X10	1
7	ASK2099940103BKT	COMPLETE CASTER RAL 9006	1
8	ASK2900030026	LOWER ROD	1
9	ASK5800730805	SCREW M8x35 HEX.HEAD (UNI 5739) GALV.	4
10	ASK5802230004	WASHER ø8.4x16x1.6 (UNI 6592) GALVANIZ.	4
11	ASK2600030018	HANDWHEEL MRX63 B-M8	1
12	ASK5802230004	WASHER ø8.4x16x1.6 (UNI 6592) GALVANIZ.	1
13	ASK2000040076BKT	S.PIPE TEXTURED CONNECTION RAL 9006	1
14	ASK5800730811	SCREW M8x75 HEXAG.HEAD (UNI 5739) GALV.	1
15	ASK2099940105BKT	MACHINE BED+DRUM BUSHING-RAL 9006	1
16	ASK5801531005	GRUB SCREW M10x12 HE.SO.C.P.(UNI 5927)	1

1
COMPLETE HANDLE



Bona[®]

Belt UX
P/N: AMK173100

KT-BONA

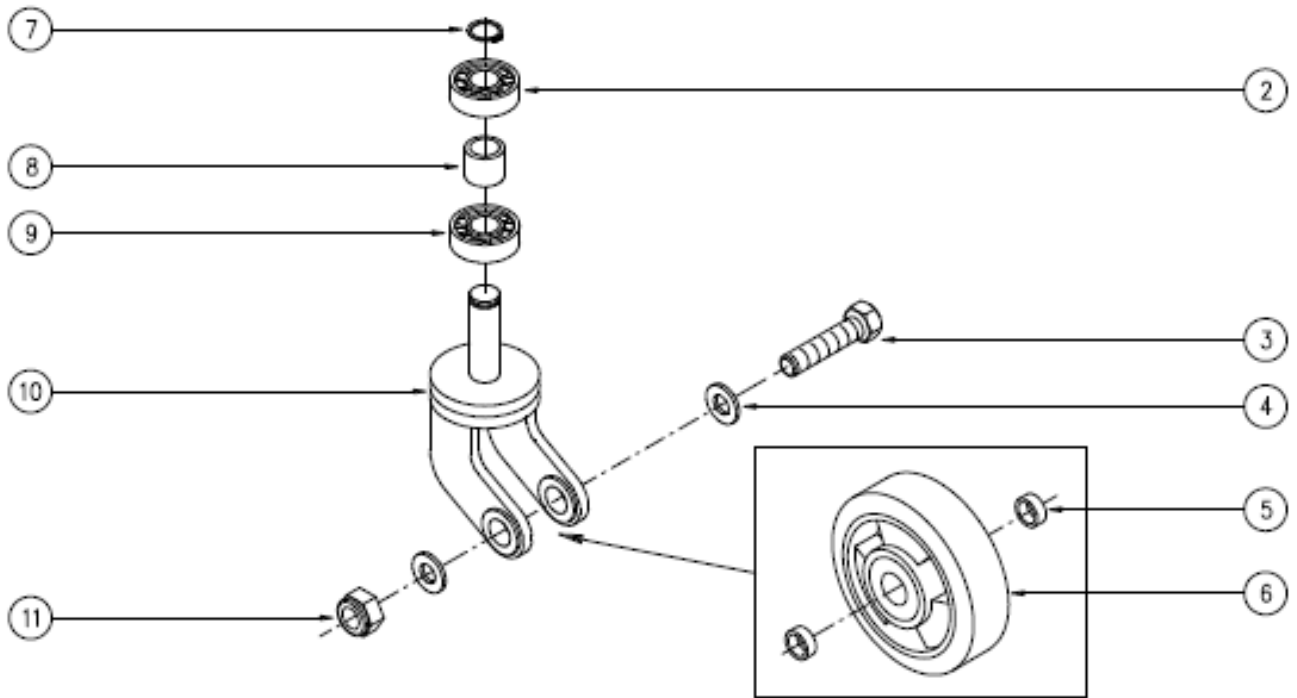
Page 2/15

Januar2023

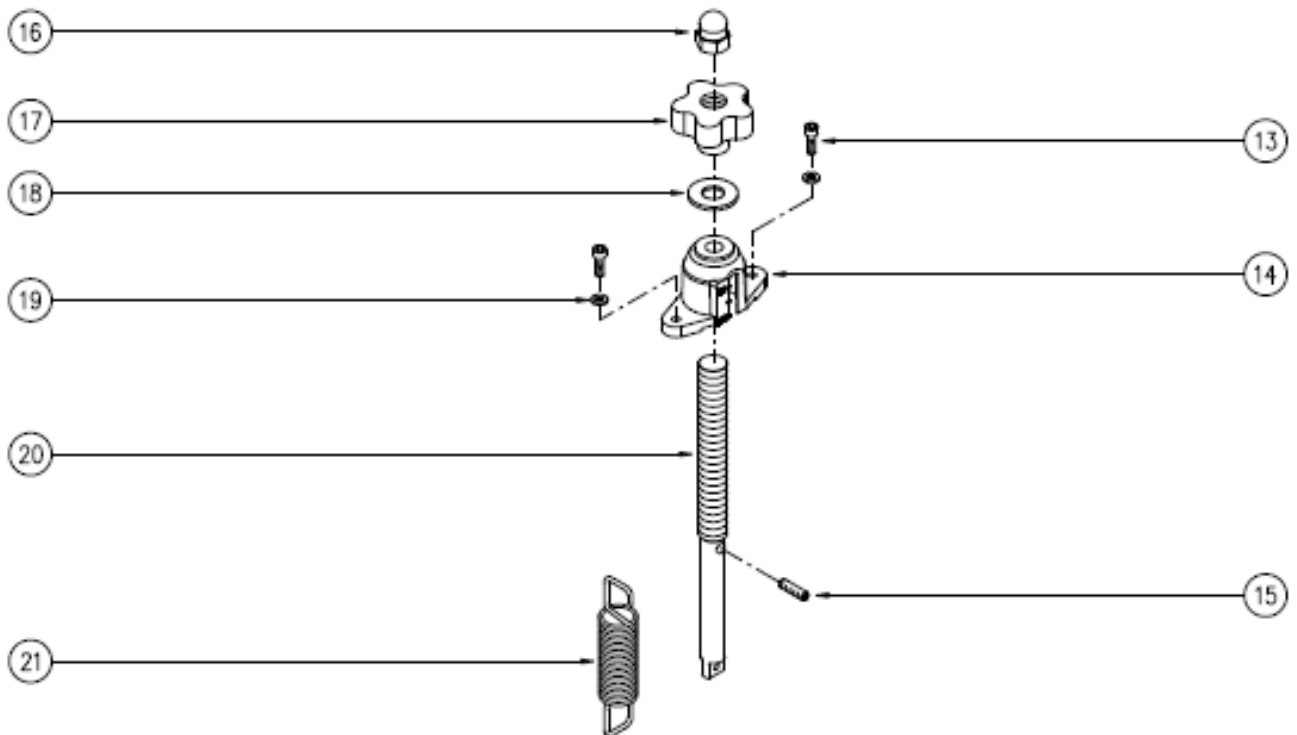
SPARE PARTS PAGE 2 of 15

ITEM	PART NUMBER	DESCRIPTION	Q.TY
1	ASK2099940199	COMPLETE HANDLE ASSEMBLY	1
2	ASK2000030116	BLACK RUBBER HANDGRIP	2
3	ASK2000030106GO	DRUM CONTR.RUBBERIZED LEFT LEVER	1
4	ASK5800330502	SCREW M5x12 (UNI 5931) GALVANIZED	1
5	ASK0100040078	WASHER ø5.5x20 TH.2.5 GALVANIZED	1
6	ASK2900030046	BUSH IGUS WSM 1214-20	2
7	ASK2000030108	HANDLE LEVERS PANEL PIN	1
8	ASK2900030045	RED KNOB PLUNGER GN617-6	1
9	ASK5800330811	SCREW M8x40 HEX.SO.HE.CAP (UNI 5931) GALV	1
10	ASK5100030244	WASHER ø8.5x20 TH.3 GALVANIZED	1
11	ASK2000040078BKT	HEIGHT ADJUSTMENT RING RAL 9006	1
12	ASK0100040078	WASHER ø5.5x20 TH.2.5 GALVANIZED	1
13	ASK5800330502	SCREW M5x12 (UNI 5931) GALVANIZED	1
14	ASK2000030098Z	SUCTION PIPE-SANDBLASTED GALVANIZED	1
15	ASK5800330401	SCREW M4x6 HEX.SO.H.C.(UNI 5931) GALV.	2
16	ASK2099940254	SUCTION / PAPER BAG ADAPTER ASSEMBLY	1
17	ASK2000030104	PAPER BAG ADAPTER-REMOTE SUCTION	1
18	ASK5801531004	CONE P.GRUB SCREW M6x10 HE.SOCK.END	1
19	ASO316019	ALUMINIUM SUCTION PIPE L=100 RS	1
20	ASK5100030017	INSULATING SLEEVE	1
21	ASK2000030105	HANDGRIP SUPPORT	1
22	ASK5800630801	SCREW M8x20 (UNI 5933) GALVANIZED	3
23	ASK2000030107GO	DRUM CONTR.RUBBERIZED RIGHT LEVER	1
24	ASK5801933005	NUT M5 SELF-LOCKING (DIN 982) GALVANIZ.	1
25	ASK5100030078	SPACER	1
26	ASK0100040078	WASHER ø5.5x20 TH.2.5 GALVANIZED	2
27	ASK5800730504	SCREW M5x30 (UNI 5739)	1
28	ASK2000030115	HANDLE UPPER ROD	1
29	ASK5801930008	NUT M8 (UNI 5588)	1
30	ASK5802230004	WASHER ø8.4x16x1.6 (UNI 6592) GALVANIZ.	1
31	ASK5299940274	WHEELS CONTR.JOINT (JOINT+BUSHING)	1

1
SWIVEL CASTER

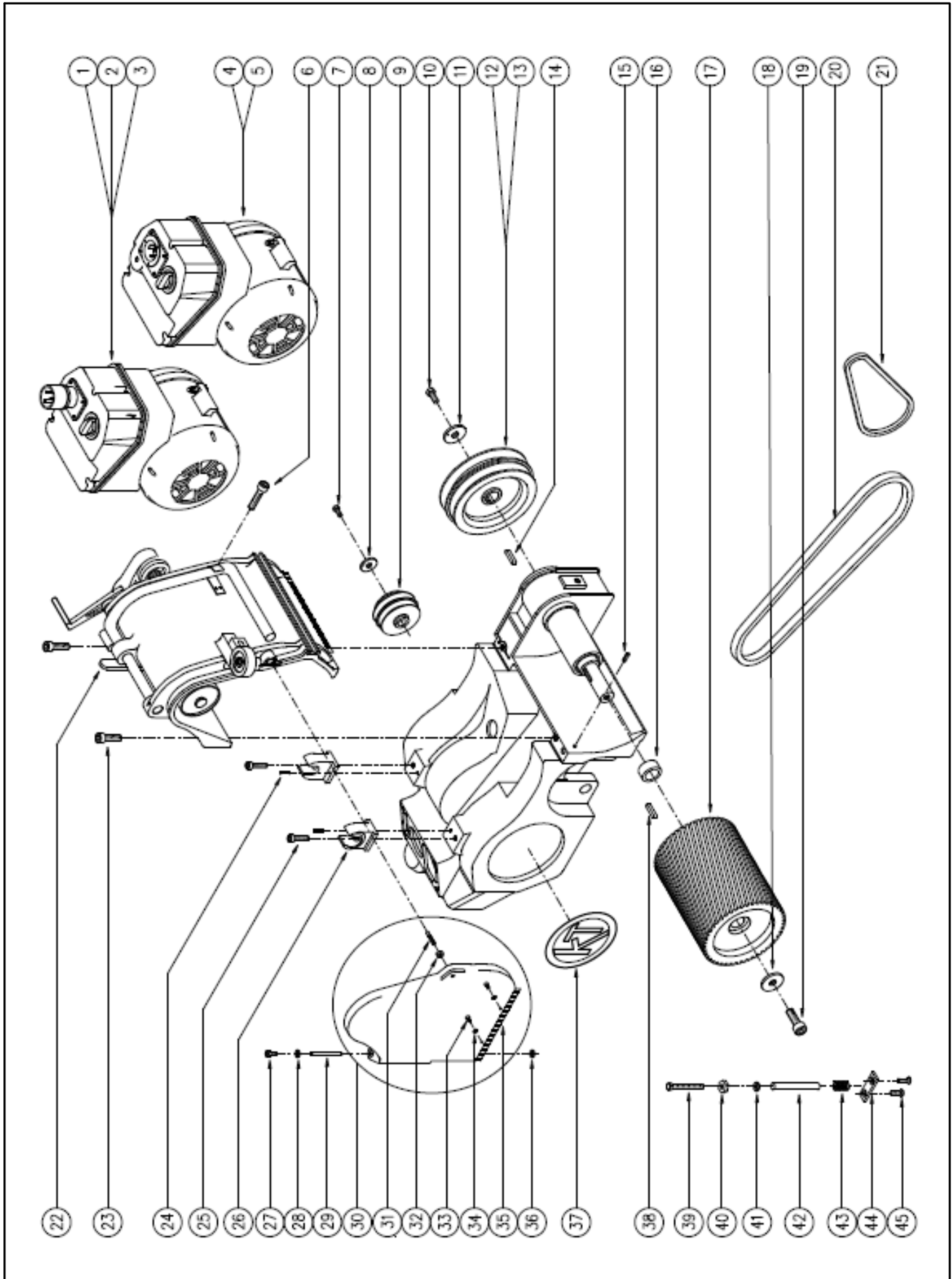


12
DRUM PRESSURE ADJUSTMENT DEVICE



SPARE PARTS PAGE 3 of 15

ITEM	PART NUMBER	DESCRIPTION	Q.TY
1	ASK2099940103BKT	COMPLETE CASTER RAL 9006	1
2	ASK5804032105	BEARING 6202 2RS TE	1
3	ASK5800731202	SCREW M12x80 HEXA.HEAD (UNI 57399 GAL.	1
4	ASK5802230006	WASHER ø13x24 (UNI 65929 GALVANIZED	2
5	ASK2000030081	SPACER	2
6	ASO117060	PREASSEMBLED MACHINED WHEEL 75MM	1
7	ASK5803030003	SNAP RING 15 E	1
8	ASK2000040009	CASTER SPACER	1
9	ASK5804032105	BEARING 6202 2RS TE	1
10	ASK2099940107BKT	BRACKET+CASTER PIN RAL 9006	1
11	ASK5801936002	NUT SELF-LOCKING M12	1
12	ASK2099940253BKT	DRUM PRESSURE ADJUSTMENT ASSEMBLY	1
13	ASK5800330404	SCREW M4x16 HE.SO.HE.C.(UNI 5931) GAL.	2
14	ASK2900040022BKT	DRUM PR.ADJ.SUPPORT RAL 9006 HOLE 12	1
15	ASK5801530006	GRUB SCREW M5x25 CUP POINT ALL.SOCK	1
16	ASK5801937003	NUT M12 DOMED (UNI 5721)	1
17	ASK5100040012	SILK SCR.PRINTED HANDWHEEL M12	1
18	ASK5802230006	WASHER ø13x24 (UNI 6592) GALVANIZED	1
19	ASK5802230001	WASHER ø4 GALVANIZED	2
20	ASK2000030109	THREADED STUD M12 DRUM PRESS.ADJ.	1
21	ASO940070	SPRING SS1774 2x18x75	1



Bona[®]

Belt UX
P/N: AMK173100

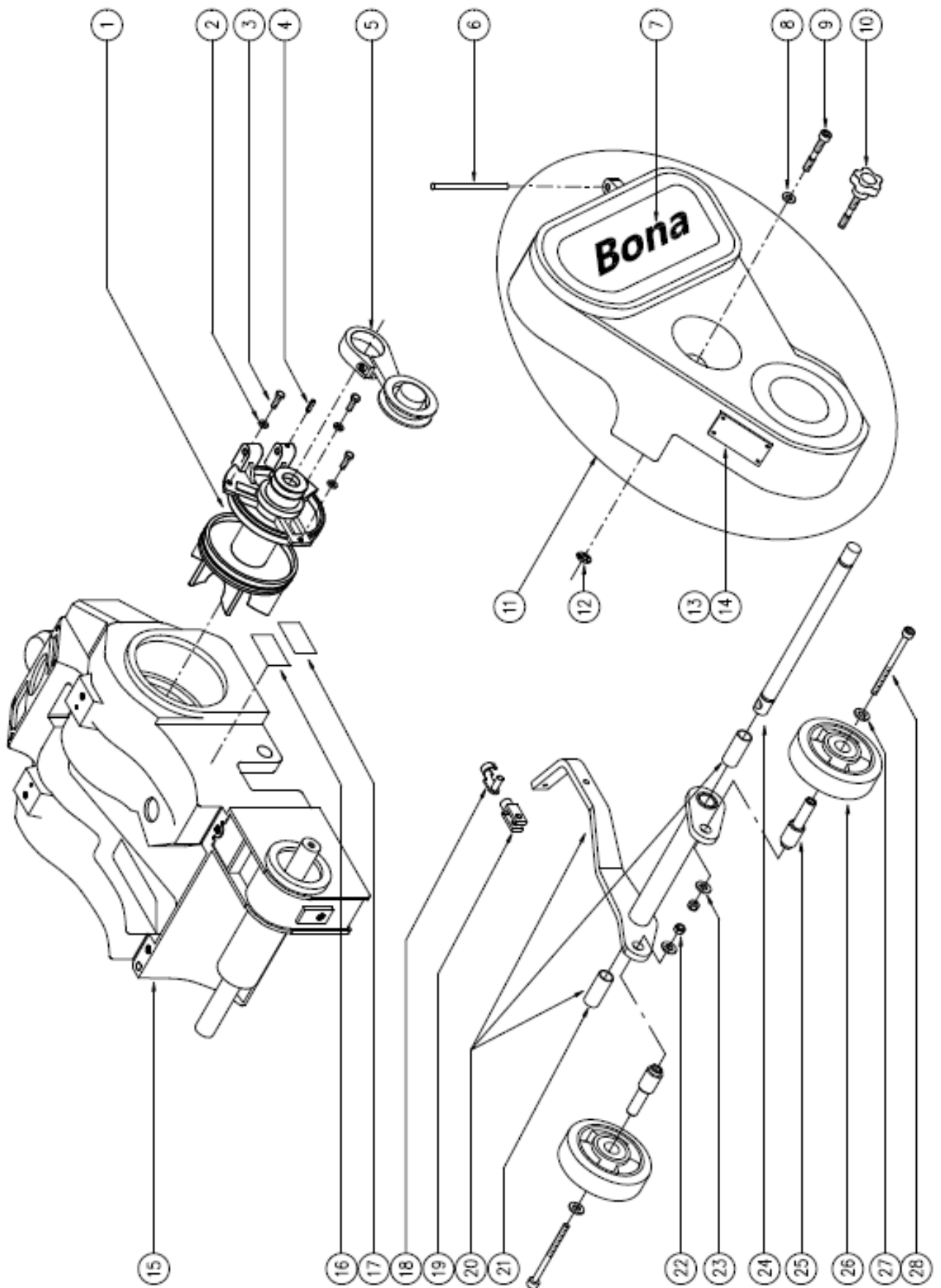
KT-BONA

Page 4/15

Januar2023

SPARE PARTS PAGE 4 of 15

ITEM	PART NUMBER	DESCRIPTION	Q.TY
1	ASK2099940248BKT	COMPLETE MOTOR 2.2KW 230V/50HZ	1
2	ASK2099940247BKT	COMPLETE MOTOR 3KW 230V/50HZ	1
3	ASK2099940245BKT	COMPLETE MOTOR 3.7KW 230V/50HZ	1
4	ASK2099940246BKT	COMPLETE MOTOR 3KW 220V/60HZ	1
5	ASK2099940249BKT	COMPLETE MOTOR 3.7KW 220V/60HZ	1
6	ASK5800331003	SCREW M10x40 (UNI 5931)	1
7	ASK5800730803	SCREW M8x25 (UNI 5739) GALVANIZED	1
8	ASK0700040910	PULLEY LOCK.WASHER ø8.5x35x4 GALVANIZED	1
9	ASK1300040892	MOTOR PULLEY	1
10	ASK5800730802	SCREW M8x20 (UNI 5739) GALVANIZED	1
11	ASK0700040910	PULLEY LOCK.WASHER ø8.5x35x4 GALVANIZED	1
12	ASK0700040904	DRUM PULLEY 50HZ	1
13	ASK5100040045	DRUM PULLEY 60HZ	1
14	ASK5802630003	KEY 6x6x20	1
15	ASK5801530009	CUP PO.GRUB SCREW M5x5 HEX.SOCK.END	1
16	ASK0700040905	SHAFT DRUM SPACER	1
17	ASK2099940098	DRUM FLAT SPLINED	1
18	ASK0700040907	DRUM LOCKING WASHER	1
19	ASK5100040232	ALLEN BOLT ø12x30	1
20	ASK0700030906	DRUM BELT GATES B37 HI-POWER 17x950LI	1
21	ASK5100031134	DRIVE BELT 10ZX 0685 ZX26 665LI	1
22	ASK2099940071BKT	ABRAS.BELT COMPL.GUARD ASS'Y RAL 9006	1
23	ASK5800331002	SCREW M10x30 (UNI 5931)	2
24	ASK5803733018	SPRING PIN ø4x20	2
25	ASK5800330804	SCREW M8x30 HE.SO.HE.CAP (UNI 5931) GALV.	2
26	ASK5100040210BKT	MOTOR SUPPORT RAL 9006	2
27	ASK5800330601	SCREW M6x10 HE.SO.HE.CA.(UNI 5931) GALV.	1
28	ASK5802230003	WASHER ø6.4X12.5 (UNI 6592) GALVANIZED	1
29	ASK5803731002	THREADED CYLINDRIC PIN ø10x90xM6 6364B	1
30	ASK2099940301BKT	SIDE GUARD+BRISTLE STRIP	1
31	ASK2000040042	SIDE GUARD PIN	1
32	ASK5801930005	NUT M5 (UNI 5588)	1
33	ASK5800330401	SCREW M4x6 HEX.SO.H.C.(UNI 5931) GALV.	2
34	ASK5802230001	WASHER ø4 GALVANIZED	2
35	ASK2000030113	SIDE GUARD BRISTLE STRIP L=150	1
36	ASK5802230005	WASHER ø10.5x20 (UNI 6592) GALVANIZED	1
37	ASK5100031293	KT ROUND BLUE LABEL ø130	1
38	ASK5802630008	KEY 6x6x32 (UNI 6604)	1
39	ASK5800730807	SCREW M8x50 (UNI 5739) GALVANIZED	1
40	ASK5801930008	NUT M8 (UNI 5588)	1
41	ASK5802230004	WASHER ø8.4x16x1.6 (UNI 6592) GALVANIZ.	1
42	ASK5803730006	CYLINDR.HARDENED PIN ø10x80 (DIN 6325)	1
43	ASK5100030102	WHEELS SUPPORT SPRING	1
44	ASK5100040108	WHEELS SUPPORT PLATE	1
45	ASK5800530402	SCREW M4x12 CRFH (UNI 7688) (DIN 965) GALV.	2



Bona[®]

Belt UX
P/N: AMK173100

KT-BONA

Page 5/15

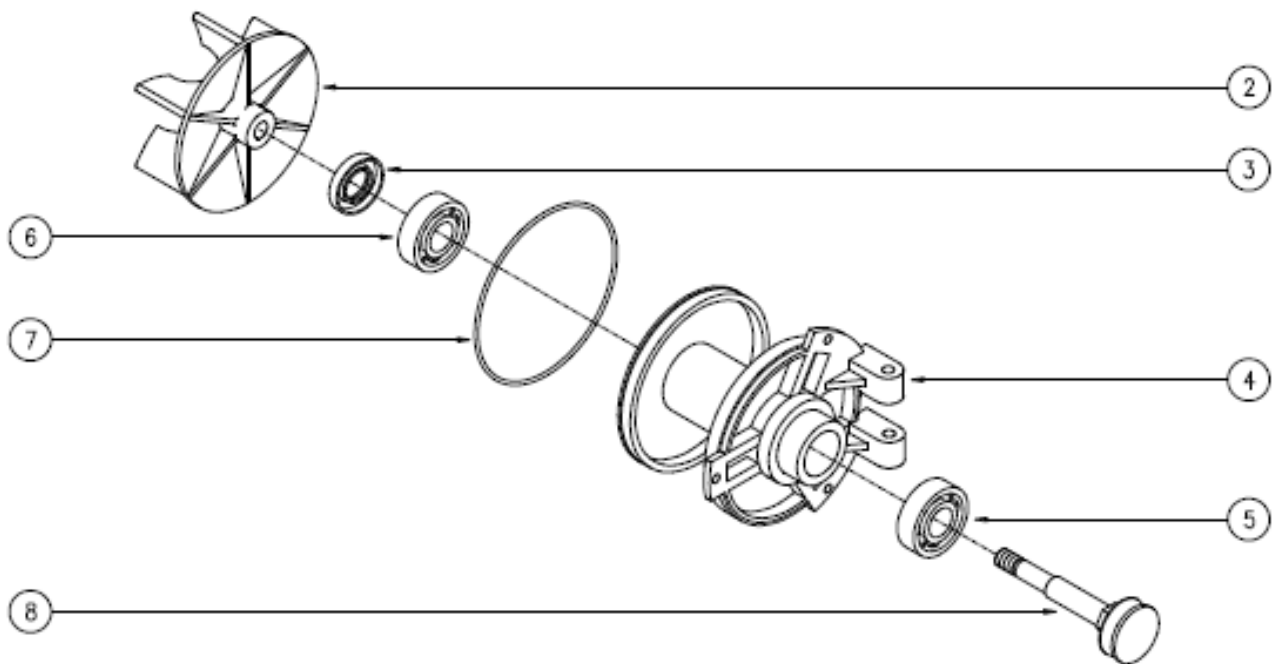
Januar2023

SPARE PARTS PAGE 5 of 15

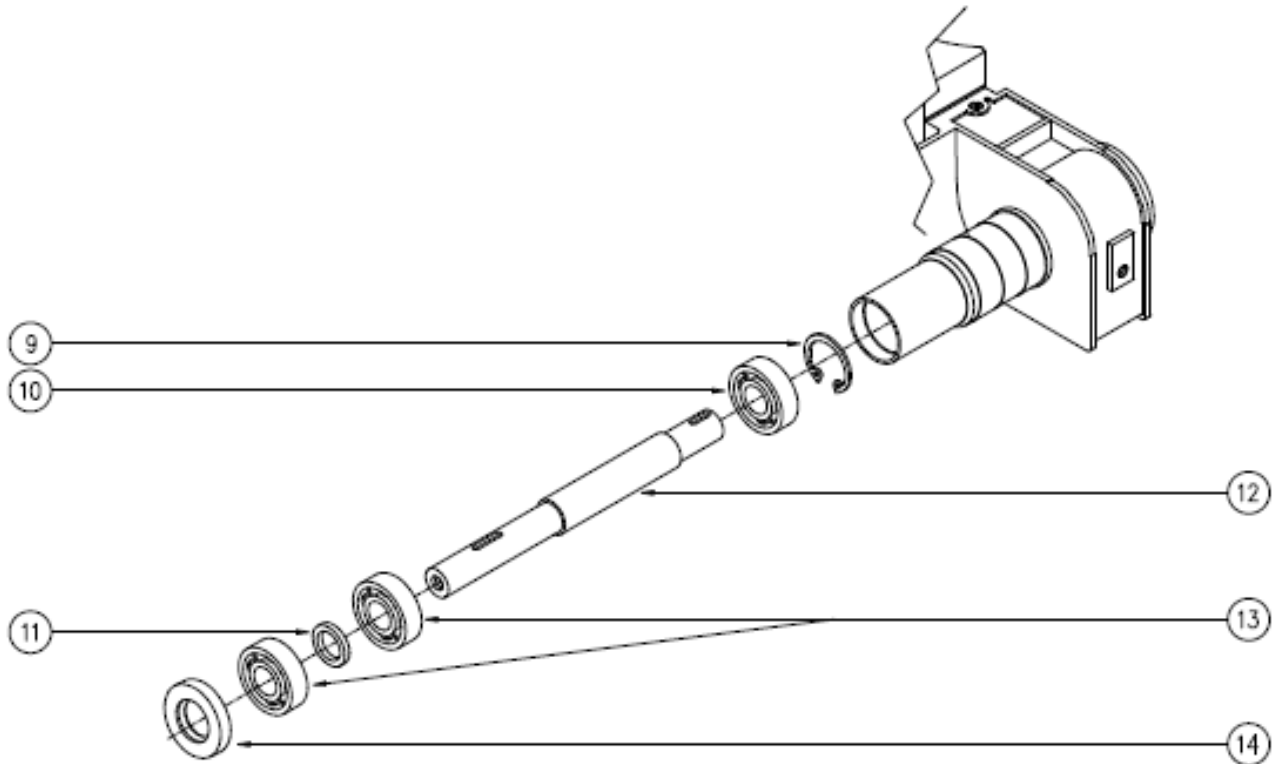
ITEM	PART NUMBER	DESCRIPTION	Q.TY
1	ASK5299940271	SUCTION ASSEMBLY	1
2	ASK5802230003	WASHER ø6.4X12.5 (UNI 6592) GALVANIZED	3
3	ASK5800730601	SCREW (UNI 57399 M6x16 GALVANIZED)	3
4	ASK5801531001	CONE POINT GRUB SCREW M5x6 (UNI 5927)	1
5	ASK1999940017	COMPLETE TIGHTENING PULLEY	1
6	ASK0200030286	DRIVE BELTS GUARD PIN	1
7	ASK5100031294	BONA BLUE LABEL 174x46	1
8	ASK5802230004	WASHER ø8.4x16x1.6 (UNI 6592) GALVANIZ.	1
9	ASK5100040037	DRIVE BELTS GUARD FIXING SCREW	1
10	ASK5100041001	MACHINED HANDWHEEL VH153/44P M8x50	1
11	ASK2099940012BKT	BELTS GUARD+WARN.PLATE ASS'Y RAL 9006	1
12	ASK5803032001	KS7 SNAP RING	1
13	ASK5100031141	WARNING PLATE	1
14	ASK5100030620	ALUMINIUM BLIND RIVET ø2.4x6	4
15	ASK2099940105BKT	MACHINE BED+DRUM BUSHING RAL 9006	1
16	ASO996102	THERMAL TRANSFER LABEL 70x35 SILVER	1
17	ASO996109	TRANSPARENT FILM 70x35	1
18	ASK5100031049	PIN 8x16 STANDARD 01	1
19	ASK5100031050	FORK 8x16 SXN02	1
20	ASK2099940077	WHEELS SUPPORT+BUSHINGS	1
21	ASK2900030044	BUSH IGLIDUR	2
22	ASK5801933008	NUT M8 HEX.SELF-LOCK.(DIN 982) GALV.	2
23	ASK5100030244	WASHER ø8.5x20 TH.3 GALVANIZED	2
24	ASK2000040082	WHEELS SUPPORT SHAFT	1
25	ASK2000030118	SIDE WHEEL PIN	2
26	ASO117107	COMPLETE WHEEL ø100MM	2
27	ASK5802230004	WASHER ø8.4x16x1.6 (UNI 6592) GALVANIZ.	2
28	ASK5800330809	SCREW M8x80 HEX.SOC.HEA.CAP (UNI 5931)	2

1

SUCTION GROUP



BUSH DRUM GROUP



Bona[®]

Belt UX
P/N: AMK173100

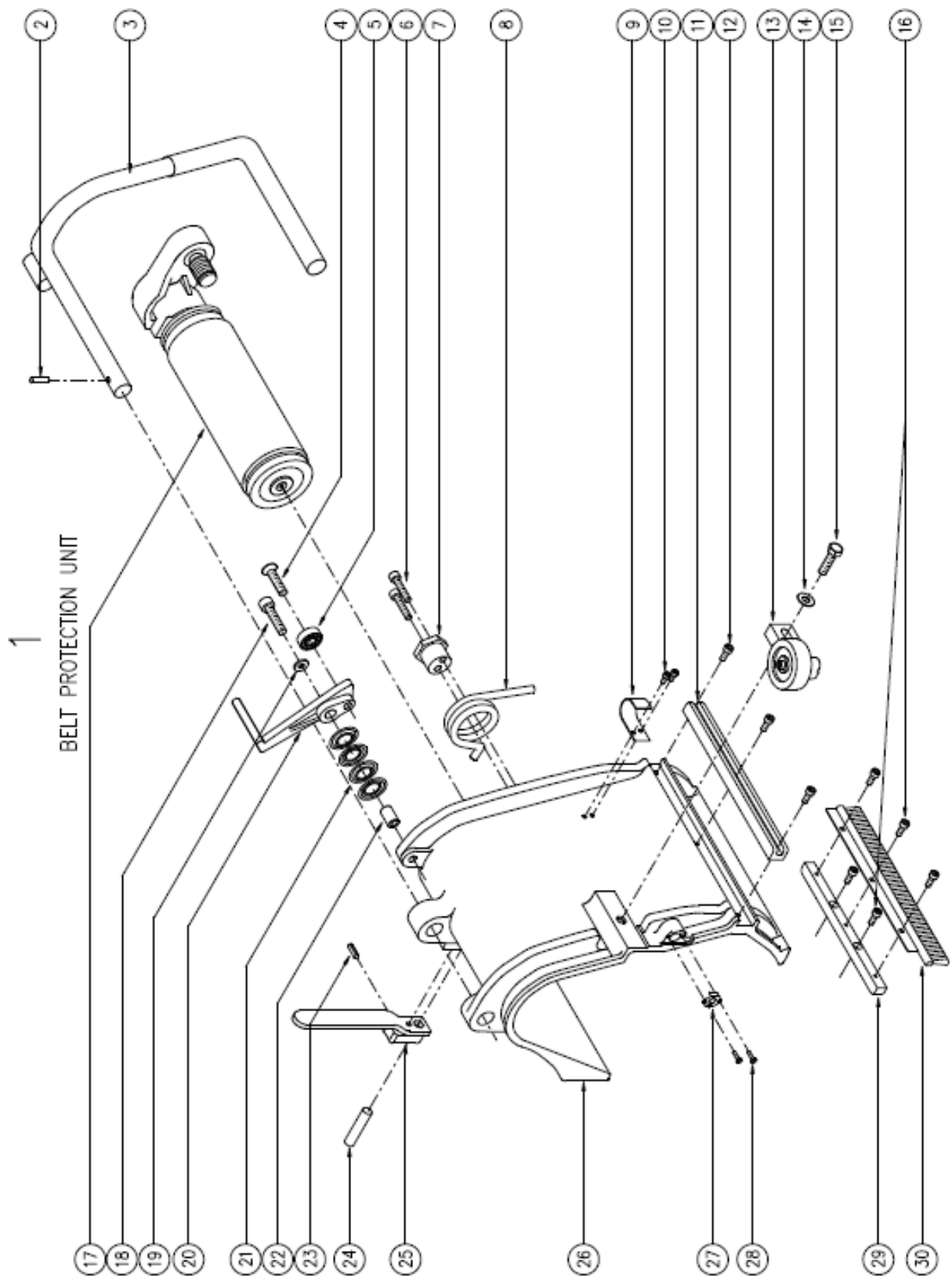
KT-BONA

Page 6/15

Januar2023

SPARE PARTS PAGE 6 of 15

ITEM	PART NUMBER	DESCRIPTION	Q.TY
1	ASK5299940271	SUCTION ASSEMBLY	1
2	ASK1900040016	SAND.MACHINES MACHINED SUCTION FAN	1
3	ASK5803430003	ROTARY SHAFT SEAL A22357	1
4	ASK5100040018	INTAKE BUSHING	1
5	ASK5804032006	BEARING 6202-2RS1	1
6	ASK5804032005	BEARING 6201-2RS1	1
7	ASK5803431004	O RING GASKET 3450	1
8	ASK5100040013	SUCTION SHAFT	1
9	ASK5803031011	RING 52 I (UNI 7437-75)	1
10	ASO916205	BALL BEARING 6205-2RSH	1
11	ASK5100040224	BEARING SPACER	1
12	ASK0700040906	DRUM SHAFT	1
13	ASK5804032013	RADIAL BALL BEARING 6005-2RS1	2
14	ASK5803430008	ROTARY SHAFT SEAL A355010	1



Bona[®]

Belt UX
P/N: AMK173100

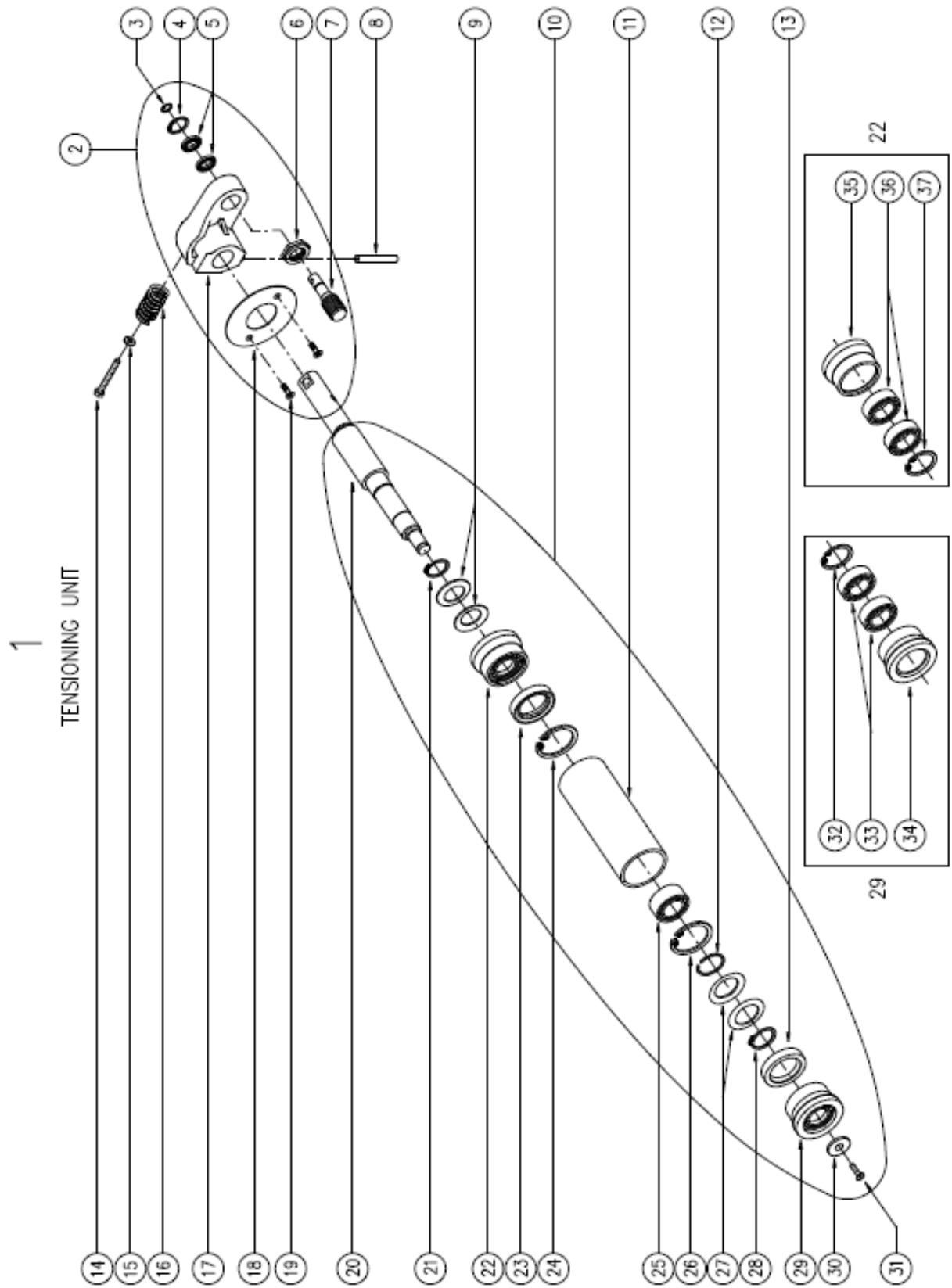
KT-BONA

Page 7/15

Januar2023

SPARE PARTS PAGE 7 of 15

ITEM	PART NUMBER	DESCRIPTION	Q.TY
1	ASK2099940071BKT	ABRAS.BELT COMPL.GUARD ASS'Y RAL 9006	1
2	ASK5803733018	SPRING PIN ø4x20	1
3	ASK2099940035GON	BLACK RUBBERIZED HANDLING FRAME	1
4	ASK5800630805	SCREW M8x25 HEX.S.COUNT.H.(UNI 5933)	1
5	ASK5804032102	BEARING 609 2RS TE	1
6	ASK5800330607	SCREW M6x30 (UNI 5931) GALVANIZED	2
7	ASK2000040014	SPRING CAM	1
8	ASK2000030026	TENSIONER BIG SPRING	1
9	ASK5100031043	FRAME LOCK SPRING	1
10	ASK5800330401	SCREW M4x6 HEX.SO.H.C.(UNI 5931) GALV.	2
11	ASK2000040069	RUBBER BUMPER	1
12	ASK5800330502	SCREW M5x12 (UNI 5931) GALVANIZED	3
13	ASK2099940030BKT	COMPLETE WALL EDGE RAL 9006	1
14	ASK5802230004	WASHER ø8.4x16x1.6 (UNI 6592) GALVANIZ.	1
15	ASK5800730803	SCREW M8x25 (UNI 5739) GALVANIZED	1
16	ASK5800330501	SCREW M5x10 (UNI 5931) GALVANIZED	3
17	ASK2099940100BKT	TENSIONER 3 RAL 9006	1
18	ASK5800330805	SCREW M8x35 (UNI 5931) GALVANIZED	1
19	ASK5802230004	WASHER ø8.4x16x1.6 (UNI 6592) GALVANIZ.	1
20	ASK5100040900GO	TENSIONER LOWERING LEVER	1
21	ASK5100031074	DISC SPRING WASHER (DIN 2093) ø12.2x23x1	4
22	ASK1900040031	SPACER	1
23	ASK5801530002	GRUB SCREW M6x8 (UNI 59230)	1
24	ASK5803731001	CYLINDRIC.HARD.THREAD.PIN M6 ø10x45	1
25	ASK2099940075GO	BELT RUBBERIZ.TIGHTEN.LEVER ASS'Y	1
26	ASK2000040002BKT	SANDING BELT MACHINED GUARD RAL 9006	1
27	ASK5100031048	FAST LOCK C11	1
28	ASK5800230301	SCREW M3x6 CROSS REC.PAN H.(UNI 7687)	2
29	ASK2000030114	FRONT BRISTLE STRIP ALUM.SUPPORT	1
30	ASK2000030111	BELT GUARD BRISTLE STRIP L=230mm	1



Bona[®]

Belt UX
P/N: AMK173100

KT-BONA

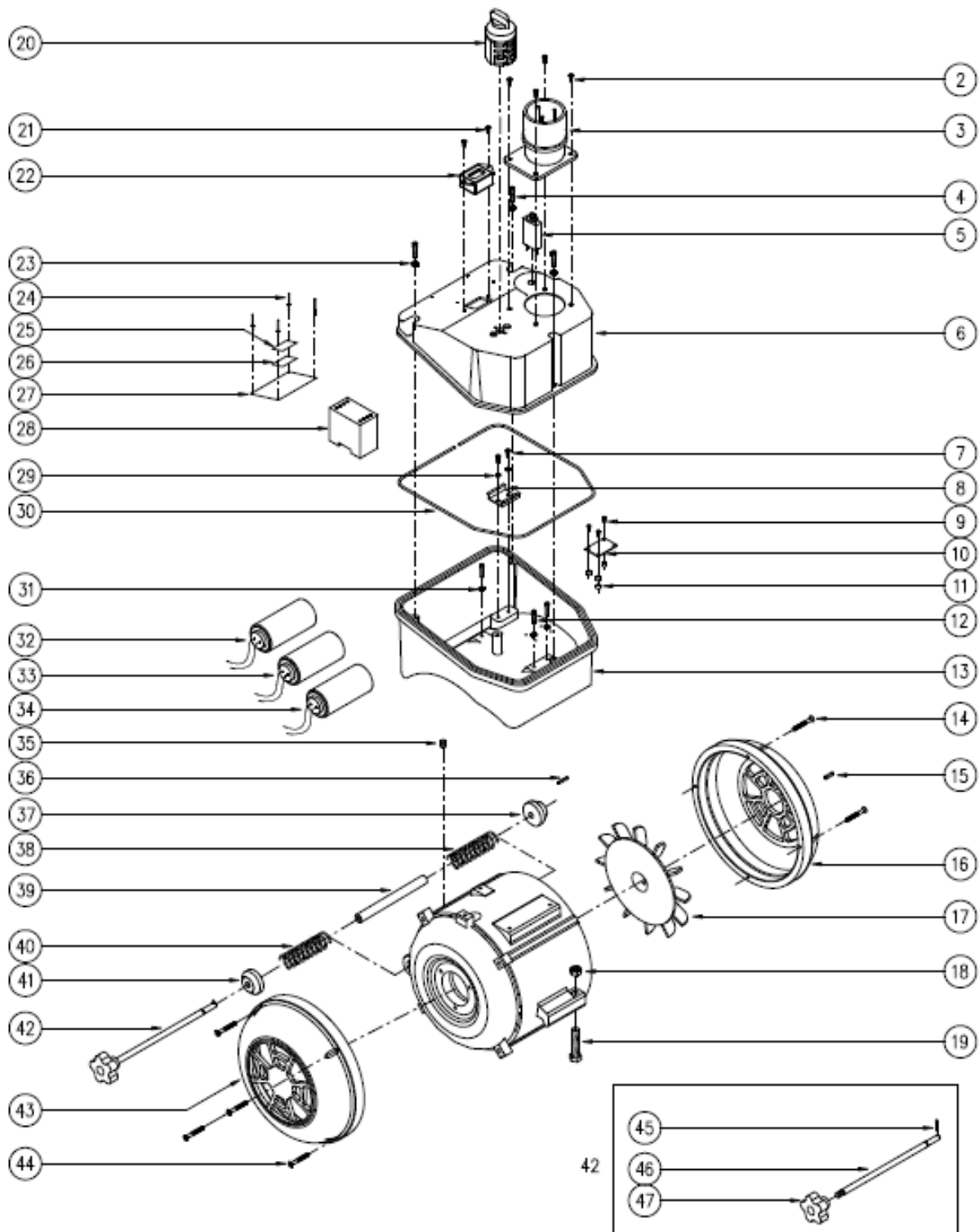
Page 8/15

Januar2023

SPARE PARTS PAGE 8 of 15

ITEM	PART NUMBER	DESCRIPTION	Q.TY
1	ASK2099940100BKT	TENSIONER 3 RAL 9006	1
2	ASK2099940110BKT	TENSIONER SUPPORT ASSEMBLY RAL 9006	1
3	ASK5803030002	SNAP RING 12 E	1
4	ASK5803031004	RING 28 I (UNI 7437-75)	1
5	ASK5804032103	BEARING 6001-2RS T.E.	2
6	ASK2000040040	TENSIONER ASSEMBLY RING NUT	1
7	ASK2000040027	TENSIONER ASS'Y AXIAL ADJUST.SCREW	1
8	ASK5803730003	CYLINDRIC.HARDENED PIN 8x50 (DIN 6325)	1
9	ASK5802330001	BELLEVILLE WASHER ø25.5x41.6x-0.5	2
10	ASK2099940111	TENSIONER DRUM 3 ASSEMBLY	1
11	ASK2000030070	TENSIONING DRUM 3	1
12	ASK5803035001	SEEGER RING SW 32	1
13	ASK5803430012	ROTARY SHAFT SEAL 326210	1
14	ASK5800730607	SCREW M6x50 (UNI 5739)	1
15	ASK5802230003	WASHER ø6.4x12.5 (UNI 6592) GALVANIZED	1
16	ASK2000030029	TENSIONER ADJUSTING SPRING	1
17	ASK2000040028BKT	TENSIONER SUPPORT RAL 9006	1
18	ASK5100030109	TENSIONER SUPPORT METAL SHEET	1
19	ASK5800530401	SCREW M4x10 CRFH (UNI 7688) (DIN 965) GALV.	2
20	ASK2000030071	TENSIONER SHAFT 3	1
21	ASK5803030009	SNAP RING 25 E	1
22	ASK2099940102	COMPLETE INTERNAL CONICAL RING	1
23	ASK5803430013	ROTARY SHAFT SEAL 356210	1
24	ASK5803031010	SNAP RING 62 I (UNI 7437)	1
25	ASK5804031002	BEARING 2206-E 2RS1	1
26	ASK5803031010	SNAP RING 62 I (UNI 7437)	1
27	ASK5802330002	BELLEVILLE WASHER ø30.5x46.5x0.6	2
28	ASK5803030007	SNAP RING 30 E (UNI 7435-75)	1
29	ASK2099940101	COMPLETE OUTER CONICAL RING	1
30	ASK2000040074	TENSIONER ASSEMBLY WASHER	1
31	ASK5800630502	SCREW M5x16 (UNI 5933) GALVANIZED	1
32	ASK5803031008	SNAP RING 42 I	1
33	ASK5804032011	BALL BEARING 6004-2RS	2
34	ASK2000040072	TENSIONER OUTSIDE CONICAL RING	1
35	ASK2000040073	TENSIONER INTERNAL CONICAL RING	1
36	ASK5804032013	6005-2RS1 RADIAL BALL BEARING	2
37	ASK5803031012	RING 22 (UNI 7437-75)	1

1
COMPLETE MOTOR 2,2KW 230V/50Hz



Bona[®]

Belt UX
P/N: AMK173100

KT-BONA

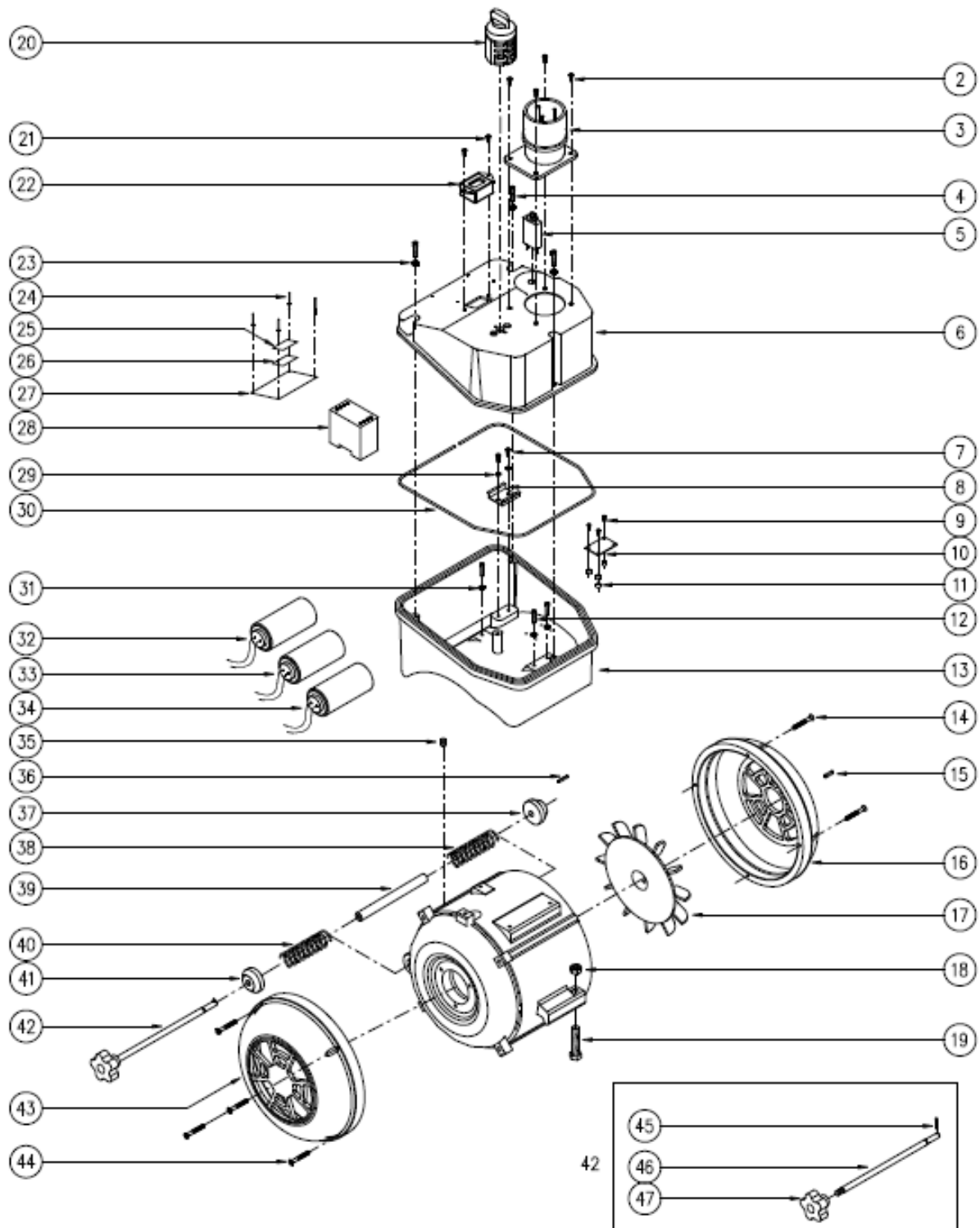
Page 9/15

Januar2023

SPARE PARTS PAGE 9 of 15

ITEM	PART NUMBER	DESCRIPTION	Q.TY
1	ASK2099940248BKT	COMPLETE MOTOR 2.2KW 230V/50HZ	1
2	ASK5800230502	SCREW M5x12 CRPH (UNI 7687) (DIN 7985) GAL.	4
3	ASK5100030505	NEW FIXED BLUE PLUG 16A 2P+G	1
4	ASK5800330505	SCREW M5x20 (UNI 5931)	3
5	ASK5299940097	20A THERM.BREAKER+CAP+LABEL+NUT KIT	1
6	ASK2000040054BKT	CONTROL BOX COVER RAL 9006	1
7	ASK5800230402	SCREW M4x10 (UNI 7687) GALVANIZED	2
8	ASK2100040003	CONTACTOR PLATE	1
9	ASK5800230305	SCREW M3x20 CR.RE.PA.HE.(UNI 7687) GALV.	3
10	ASK2000030112	VOLTMETER BOARD	1
11	ASK7200030018	PRINTED CIRCUIT BOARD SPACER	4
12	ASK5800330515	SCREW M5x45 HEX.SOCK.H.C.(UNI 5931) GALV.	3
13	ASK2100040015BKT	CONTROL BOX RAL 9006	1
14	ASK5800530403	SCREW M4x30 CR.RE.FL.H.(UNI 7688) GAL.	4
15	ASK5802630008	KEY 6x6x32 (UNI 6604)	1
16	ASK2100030160BB	MOTOR DRILLED CAP BLUE RAL 5013	1
17	ASK2600030039	LIGHT FAN FOR MOTOR COOLING	1
18	ASK5100030675	NUT M10 SM45/2	1
19	ASK5100040675	DRIVE BELT TIGHTENING SCREW M10x70	1
20	ASK5100031056	CHANGE OVER SWITCH	1
21	ASK5800230402	SCREW M4x10 (UNI 7687) GALVANIZED	2
22	ASK7200030038	HOUR METER WITH DATA & INFO	1
23	ASK5802233002	INT.SERR.LOCK WASHER D5 (DIN 6798/J)	3
24	ASK5100030620	ALUMINIUM BLIND RIVET ø2.4x6	4
25	ASO996109	TRANSPARENT FILM 70x35	1
26	ASO996102	THERMAL TRANSFER LABEL 70x35 SILVER	1
27	ASK5100031336	NEUTRAL MOTOR PLATE	1
28	ASK5100030047	CONTACTOR BF16-10	1
29	ASK5802232001	INT.SERR.LOCK WASHER M4 ø4.3 (6798J)	2
30	ASO928060	RUBBER PROFILE ø6mm	1
31	ASK5802233002	INT.SERR.LOCK WASHER D5 (DIN 6798/J)	3
32	ASK5100030699	CAPACITOR 100µF 400V	1
33	ASK5100030704	CAPACITOR 40µF	1
34	ASK5100030700	CAPACITOR 31.5µF	1
35	ASK5801531002	CONE P.GRUB SCREW M5x10 (UNI 5927)	1
36	ASK5803733006	SPRING PIN ø3x24 (DIN 1481)	1
37	ASK5100040785	THREADED CONICAL WASHER	1
38	ASK5100030668	SPRING INTERNAL ø10.6 LLA107	1
39	ASK5100040665	MOTOR SLEEVE	1
40	ASK5100030668	SPRING INTERNAL ø10.6 LLA107	1
41	ASK5100040667	MOTOR CONICAL WASHER	1
42	ASK5299940780	HANDGRIP WITH MOTOR TIE ROD	1
43	ASK2100030162BB	MOTOR UNDRILLED CAP BLUE RAL 5013	1
44	ASK5800530403	SCREW M4x30 CR.RE.FL.H.(UNI 7688) GAL.	4
45	ASK5802830001	SPLIT PIN ø1.5 L.20 (UNI 1336)	1
46	ASK5100030014	MOTOR TIE ROD	1
47	ASK5100030083	HANDWHEEL VCT.50 B-M8	1

1
COMPLETE MOTOR 3KW 230V/50Hz



Bona[®]

Belt UX
P/N: AMK173100

KT-BONA

Page 10/15

Januar2023

SPARE PARTS PAGE 10 of 15

ITEM	PART NUMBER	DESCRIPTION	Q.TY
1	ASK2099940247BKT	COMPLETE MOTOR 3KW 230V/50HZ	1
2	ASK5800230502	SCREW M5x12 CRPH (UNI 7687) (DIN 7985) GAL.	4
3	ASK5100030656	NEW FIXED PLUG CE 32A 2P+G	1
4	ASK5800330505	SCREW M5x20 (UNI 5931)	3
5	ASK5299940097	20A THERM.BREAKER+CAP+LABEL+NUT KIT	1
6	ASK2000040054BKT	CONTROL BOX COVER RAL 9006	1
7	ASK5800230402	SCREW M4x10 (UNI 7687) GALVANIZED	2
8	ASK2100040003	CONTACTOR PLATE	1
9	ASK5800230305	SCREW M3x20 CR.RE.PA.HE.(UNI 7687) GALV.	3
10	ASK2000030112	VOLTMETER BOARD	1
11	ASK7200030018	PRINTED CIRCUIT BOARD SPACER	4
12	ASK5800330515	SCREW M5x45 HEX.SOCK.H.C.(UNI 5931) GALV.	3
13	ASK2100040015BKT	CONTROL BOX RAL 9006	1
14	ASK5800530403	SCREW M4x30 CR.RE.FL.H.(UNI 7688) GAL.	4
15	ASK5802630008	KEY 6x6x32 (UNI 6604)	1
16	ASK2100030160BB	MOTOR DRILLED CAP BLUE RAL 5013	1
17	ASK2600030039	LIGHT FAN FOR MOTOR COOLING	1
18	ASK5100030675	NUT M10 SM45/2	1
19	ASK5100040675	DRIVE BELT TIGHTENING SCREW M10x70	1
20	ASK5100031056	CHANGE OVER SWITCH	1
21	ASK5800230402	SCREW M4x10 (UNI 7687) GALVANIZED	2
22	ASK7200030038	HOUR METER WITH DATA & INFO	1
23	ASK5802233002	INT.SERR.LOCK WASHER D5 (DIN 6798/J)	3
24	ASK5100030620	ALUMINIUM BLIND RIVET ø2.4x6	4
25	ASO996109	TRANSPARENT FILM 70x35	1
26	ASO996102	THERMAL TRANSFER LABEL 70x35 SILVER	1
27	ASK5100031336	NEUTRAL MOTOR PLATE	1
28	ASK5100030047	CONTACTOR BF16-10	1
29	ASK5802232001	INT.SERR.LOCK WASHER M4 ø4.3 (6798J)	2
30	ASO928060	RUBBER PROFILE ø6mm	1
31	ASK5802233002	INT.SERR.LOCK WASHER D5 (DIN 6798/J)	3
32	ASK5100030699	CAPACITOR 100µF 400V	1
33	ASK5100030691	CAPACITOR 50µF 550V DIAM.55mm	1
34	ASK5100030700	CAPACITOR 31.5µF	1
35	ASK5801531002	CONE P.GRUB SCREW M5x10 (UNI 5927)	1
36	ASK5803733006	SPRING PIN ø3x24 (DIN 1481)	1
37	ASK5100040785	THREADED CONICAL WASHER	1
38	ASK5100030668	SPRING INTERNAL ø10.6 LLA107	1
39	ASK5100040665	MOTOR SLEEVE	1
40	ASK5100030668	SPRING INTERNAL ø10.6 LLA107	1
41	ASK5100040667	MOTOR CONICAL WASHER	1
42	ASK5299940780	HANDGRIP WITH MOTOR TIE ROD	1
43	ASK2100030162BB	MOTOR UNDRILLED CAP BLUE RAL 5013	1
44	ASK5800530403	SCREW M4x30 CR.RE.FL.H.(UNI 7688) GAL.	4
45	ASK5802830001	SPLIT PIN ø1.5 L.20 (UNI 1336)	1
46	ASK5100030014	MOTOR TIE ROD	1
47	ASK5100030083	HANDWHEEL VCT.50 B-M8	1



Belt UX
P/N: AMK173100

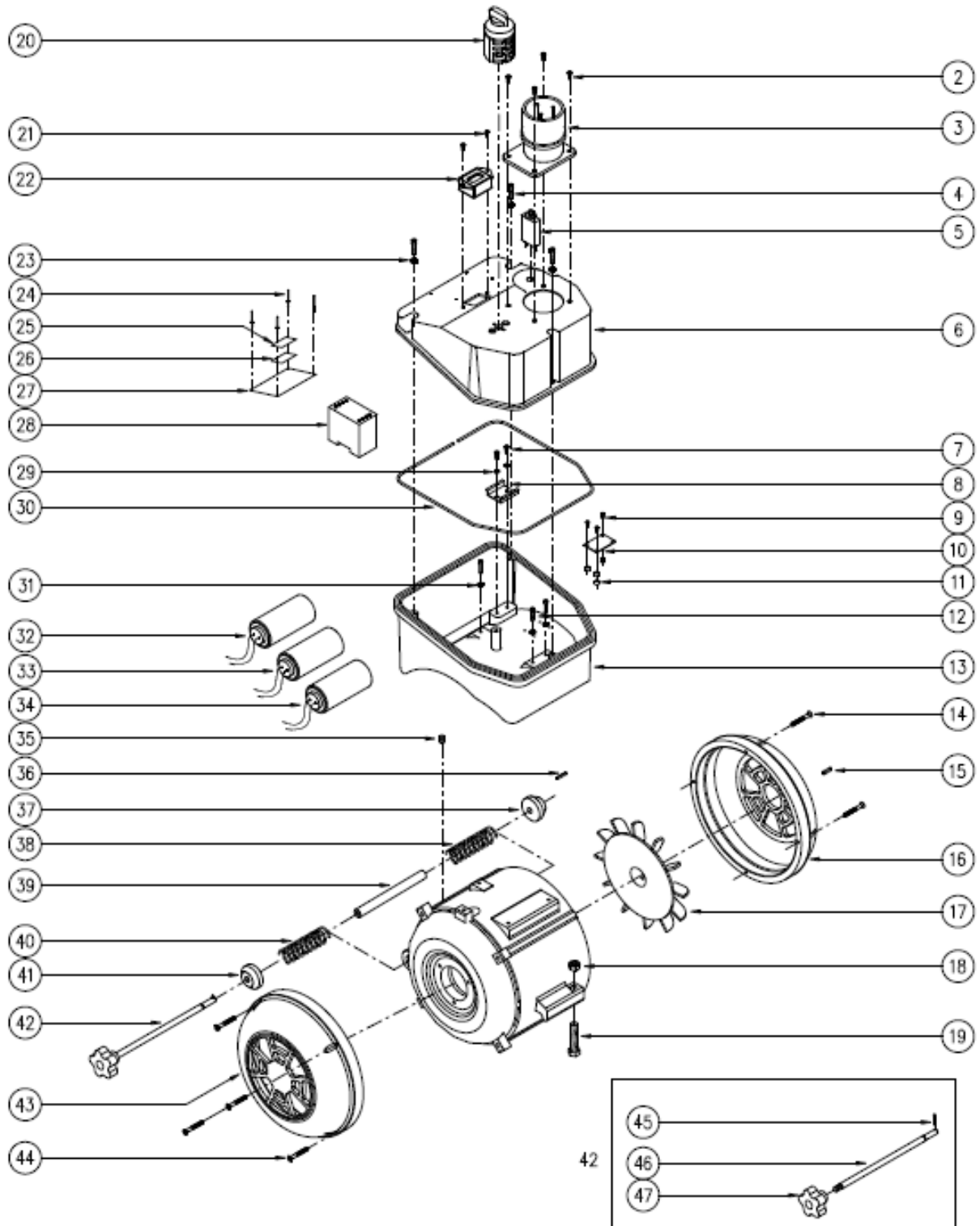
KT-BONA

Page 10/15

Januar2023

1

COMPLETE MOTOR 3,7KW 230V/50Hz



Bona[®]

Belt UX
P/N: AMK173100

KT-BONA

Page 11/15

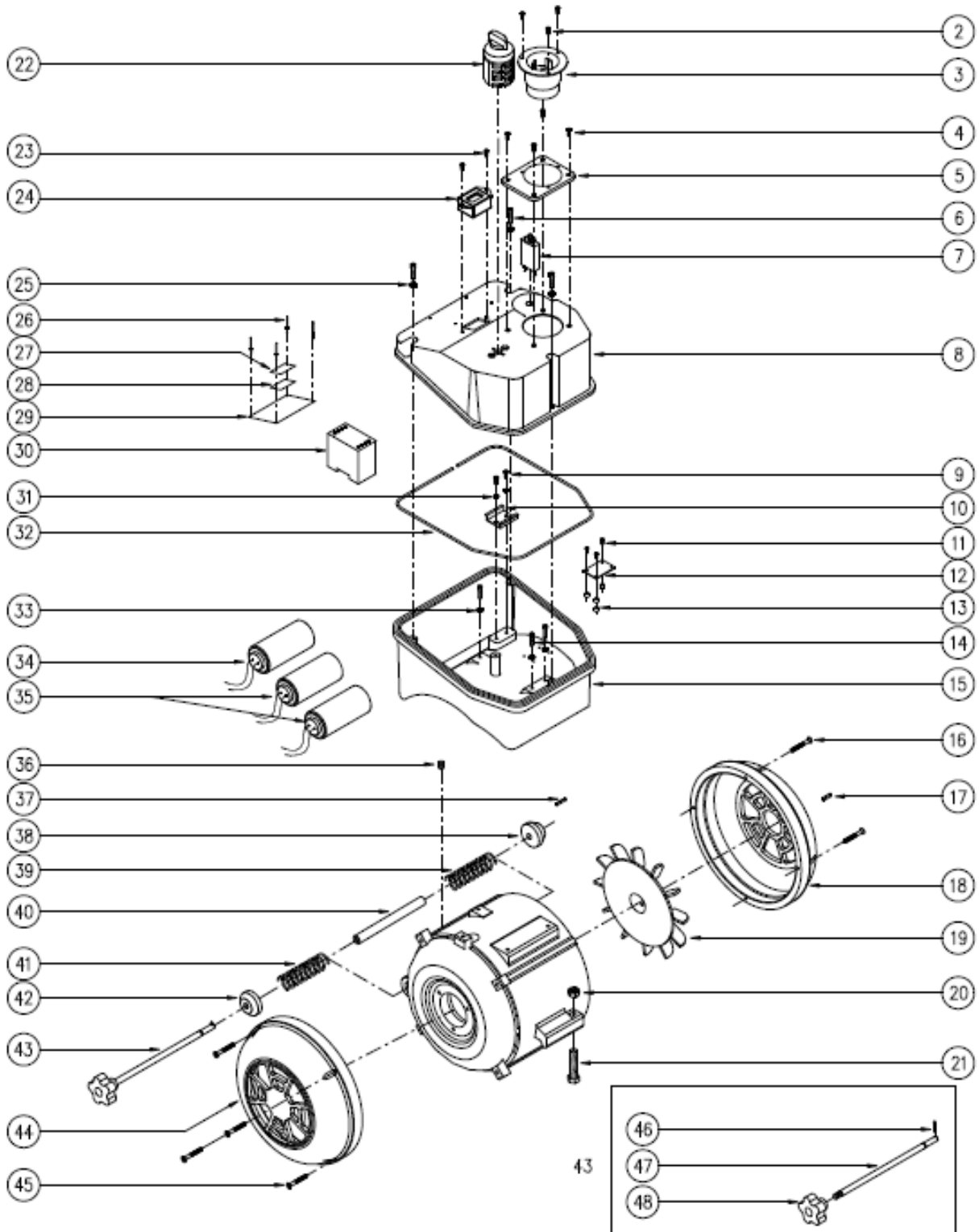
Januar2023

SPARE PARTS PAGE 11 of 15

ITEM	PART NUMBER	DESCRIPTION	Q.TY
1	ASK2099940245BKT	COMPLETE MOTOR 3.7KW 230V/50HZ	1
2	ASK5800230502	SCREW M5x12 CRPH (UNI 7687) (DIN 7985) GAL.	4
3	ASK5100030656	NEW FIXED PLUG CE 32A 2P+G	1
4	ASK5800330505	SCREW M5x20 (UNI 5931)	3
5	ASK5299940097	20A THERM.BREAKER+CAP+LABEL+NUT KIT	1
6	ASK2000040054BKT	CONTROL BOX COVER RAL 9006	1
7	ASK5800230402	SCREW M4x10 (UNI 7687) GALVANIZED	2
8	ASK2100040003	CONTACTOR PLATE	1
9	ASK5800230305	SCREW M3x20 CR.RE.PA.HE.(UNI 7687) GALV.	3
10	ASK2000030112	VOLTMETER BOARD	1
11	ASK7200030018	PRINTED CIRCUIT BOARD SPACER	4
12	ASK5800330515	SCREW M5x45 HEX.SOCK.H.C.(UNI 5931) GALV.	3
13	ASK2100040015BKT	CONTROL BOX RAL 9006	1
14	ASK5800530403	SCREW M4x30 CR.RE.FL.H.(UNI 7688) GAL.	4
15	ASK5802630008	KEY 6x6x32 (UNI 6604)	1
16	ASK2100030160BB	MOTOR DRILLED CAP BLUE RAL 5013	1
17	ASK2600030039	LIGHT FAN FOR MOTOR COOLING	1
18	ASK5100030675	NUT M10 SM45/2	1
19	ASK5100040675	DRIVE BELT TIGHTENING SCREW M10x70	1
20	ASK5100031056	CHANGE OVER SWITCH	1
21	ASK5800230402	SCREW M4x10 (UNI 7687) GALVANIZED	2
22	ASK7200030038	HOUR METER WITH DATA & INFO	1
23	ASK5802233002	INT.SERR.LOCK WASHER D5 (DIN 6798/J)	3
24	ASK5100030620	ALUMINIUM BLIND RIVET ø2.4x6	4
25	ASO996109	TRANSPARENT FILM 70x35	1
26	ASO996102	THERMAL TRANSFER LABEL 70x35 SILVER	1
27	ASK5100031336	NEUTRAL MOTOR PLATE	1
28	ASK5100030047	CONTACTOR BF16-10	1
29	ASK5802232001	INT.SERR.LOCK WASHER M4 ø4.3 (6798J)	2
30	ASO928060	RUBBER PROFILE ø6mm	1
31	ASK5802233002	INT.SERR.LOCK WASHER D5 (DIN 6798/J)	3
32	ASK5100030699	CAPACITOR 100µF 400V	1
33	ASK5100030691	CAPACITOR 50µF 550V DIAM.55mm	1
34	ASK2800030051	CAPACITOR 60µF	1
35	ASK5801531002	CONE P.GRUB SCREW M5x10 (UNI 5927)	1
36	ASK5803733006	SPRING PIN ø3x24 (DIN 1481)	1
37	ASK5100040785	THREADED CONICAL WASHER	1
38	ASK5100030668	SPRING INTERNAL ø10.6 LLA107	1
39	ASK5100040665	MOTOR SLEEVE	1
40	ASK5100030668	SPRING INTERNAL ø10.6 LLA107	1
41	ASK5100040667	MOTOR CONICAL WASHER	1
42	ASK5299940780	HANDGRIP WITH MOTOR TIE ROD	1
43	ASK2100030162BB	MOTOR UNDRILLED CAP BLUE RAL 5013	1
44	ASK5800530403	SCREW M4x30 CR.RE.FL.H.(UNI 7688) GAL.	4
45	ASK5802830001	SPLIT PIN ø1.5 L.20 (UNI 1336)	1
46	ASK5100030014	MOTOR TIE ROD	1
47	ASK5100030083	HANDWHEEL VCT.50 B-M8	1

1

COMPLETE MOTOR 3KW 220V/60Hz



Bona[®]

Belt UX
P/N: AMK173100

KT-BONA

Page 12/15

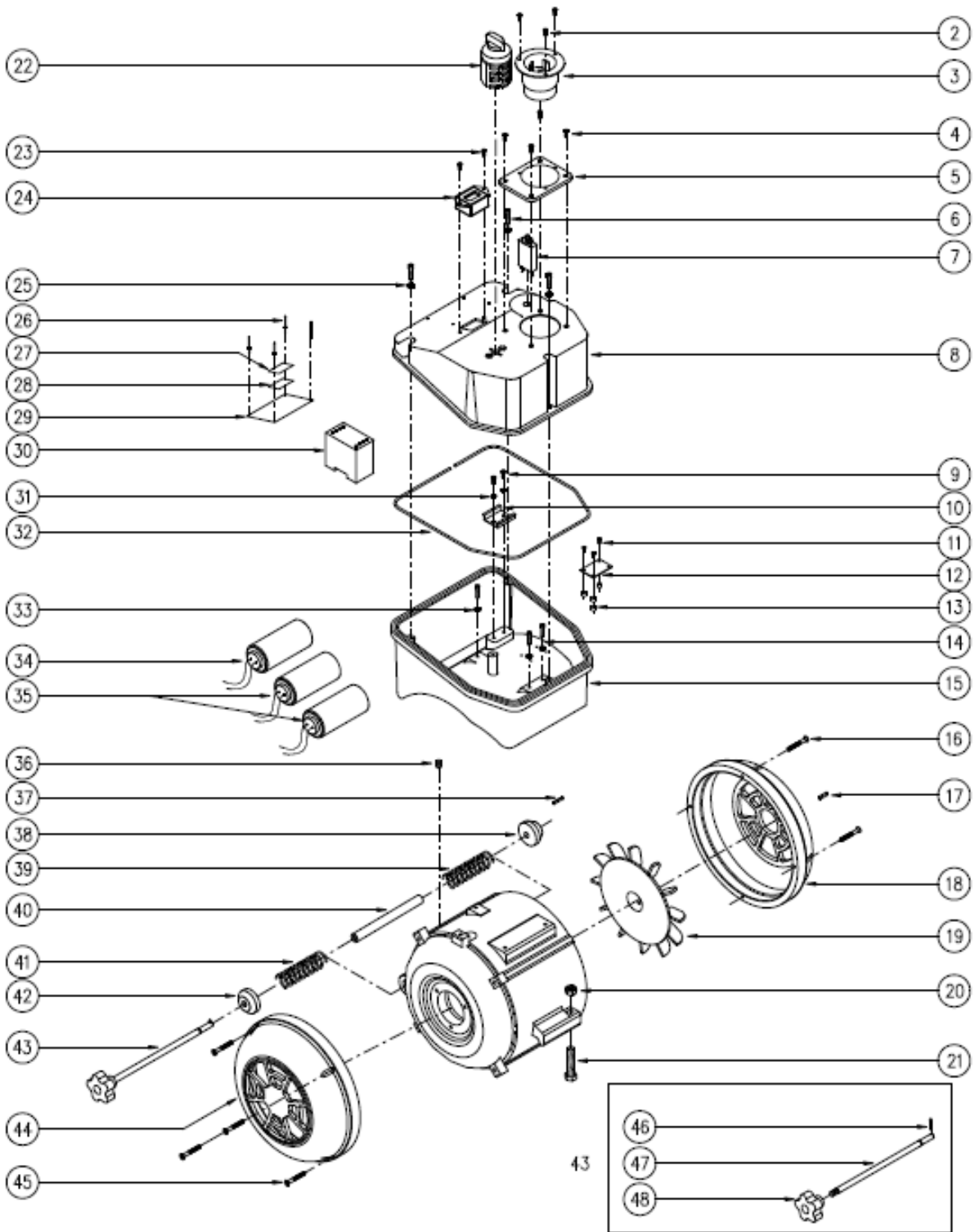
Januar2023

SPARE PARTS PAGE 12 of 15

ITEM	PART NUMBER	DESCRIPTION	Q.TY
1	ASK2099940246BKT	COMPLETE MOTOR 3KW 220V/60HZ	1
2	ASK5800230401	SCREW M4x8 CRPH (UNI 7687) (DIN 7985) GAL.	3
3	ASK2100030016	FLANGED PLUG 250V-30A FOR CABLE	1
4	ASK5800530501	SCREW M5x12 (UNI 7688) GALVANIZED	4
5	ASK2100030013	TWIST LOCK PLUG NEW ADAPTING PLATE	1
6	ASK5800330505	SCREW M5x20 (UNI 5931)	3
7	ASK5299940097	20A THERM.BREAKER+CAP+LABEL+NUT KIT	1
8	ASK2000040054BKT	CONTROL BOX COVER RAL 9006	1
9	ASK5800230402	SCREW M4x10 (UNI 7687) GALVANIZED	2
10	ASK2100040003	CONTACTOR PLATE	1
11	ASK5800230305	SCREW M3x20 CR.RE.PA.HE.(UNI 7687) GALV.	3
12	ASK2000030112	VOLTMETER BOARD	1
13	ASK7200030018	PRINTED CIRCUIT BOARD SPACER	4
14	ASK5800330515	SCREW M5x45 HEX.SOCK.H.C.(UNI 5931) GALV.	3
15	ASK2100040015BKT	CONTROL BOX RAL 9006	1
16	ASK5800530403	SCREW M4x30 CR.RE.FL.H.(UNI 7688) GAL.	4
17	ASK5802630008	KEY 6x6x32 (UNI 6604)	1
18	ASK2100030160BB	MOTOR DRILLED CAP BLUE RAL 5013	1
19	ASK2600030039	LIGHT FAN FOR MOTOR COOLING	1
20	ASK5100030675	NUT M10 SM45/2	1
21	ASK5100040675	DRIVE BELT TIGHTENING SCREW M10x70	1
22	ASK5100031056	CHANGE OVER SWITCH	1
23	ASK5800230402	SCREW M4x10 (UNI 7687) GALVANIZED	2
24	ASK7200030038	HOUR METER WITH DATA & INFO	1
25	ASK5802233002	INT.SERR.LOCK WASHER D5 (DIN 6798/J)	3
26	ASK5100030620	ALUMINIUM BLIND RIVET ø2.4x6	4
27	ASO996109	TRANSPARENT FILM 70x35	1
28	ASO996102	THERMAL TRANSFER LABEL 70x35 SILVER	1
29	ASK5100031336	NEUTRAL MOTOR PLATE	1
30	ASK5100030047	CONTACTOR BF16-10	1
31	ASK5802232001	INT.SERR.LOCK WASHER M4 ø4.3 (6798J)	2
32	ASO928060	RUBBER PROFILE ø6mm	1
33	ASK5802233002	INT.SERR.LOCK WASHER D5 (DIN 6798/J)	3
34	ASK5100030699	CAPACITOR 100µF 400V	1
35	ASK5100030691	CAPACITOR 50µF 550V DIAM.55mm	2
36	ASK5801531002	CONE P.GRUB SCREW M5x10 (UNI 5927)	1
37	ASK5803733006	SPRING PIN ø3x24 (DIN 1481)	1
38	ASK5100040785	THREADED CONICAL WASHER	1
39	ASK5100030668	SPRING INTERNAL ø10.6 LLA107	1
40	ASK5100040665	MOTOR SLEEVE	1
41	ASK5100030668	SPRING INTERNAL ø10.6 LLA107	1
42	ASK5100040667	MOTOR CONICAL WASHER	1
43	ASK5299940780	HANDGRIP WITH MOTOR TIE ROD	1
44	ASK2100030162BB	MOTOR UNDRILLED CAP BLUE RAL 5013	1
45	ASK5800530403	SCREW M4x30 CR.RE.FL.H.(UNI 7688) GAL.	4
46	ASK5802830001	SPLIT PIN ø1.5 L.20 (UNI 1336)	1
47	ASK5100030014	MOTOR TIE ROD	1
48	ASK5100030083	HANDWHEEL VCT.50 B-M8	1

1

COMPLETE MOTOR 3,7KW 220V/60Hz



Bona[®]

Belt UX
P/N: AMK173100

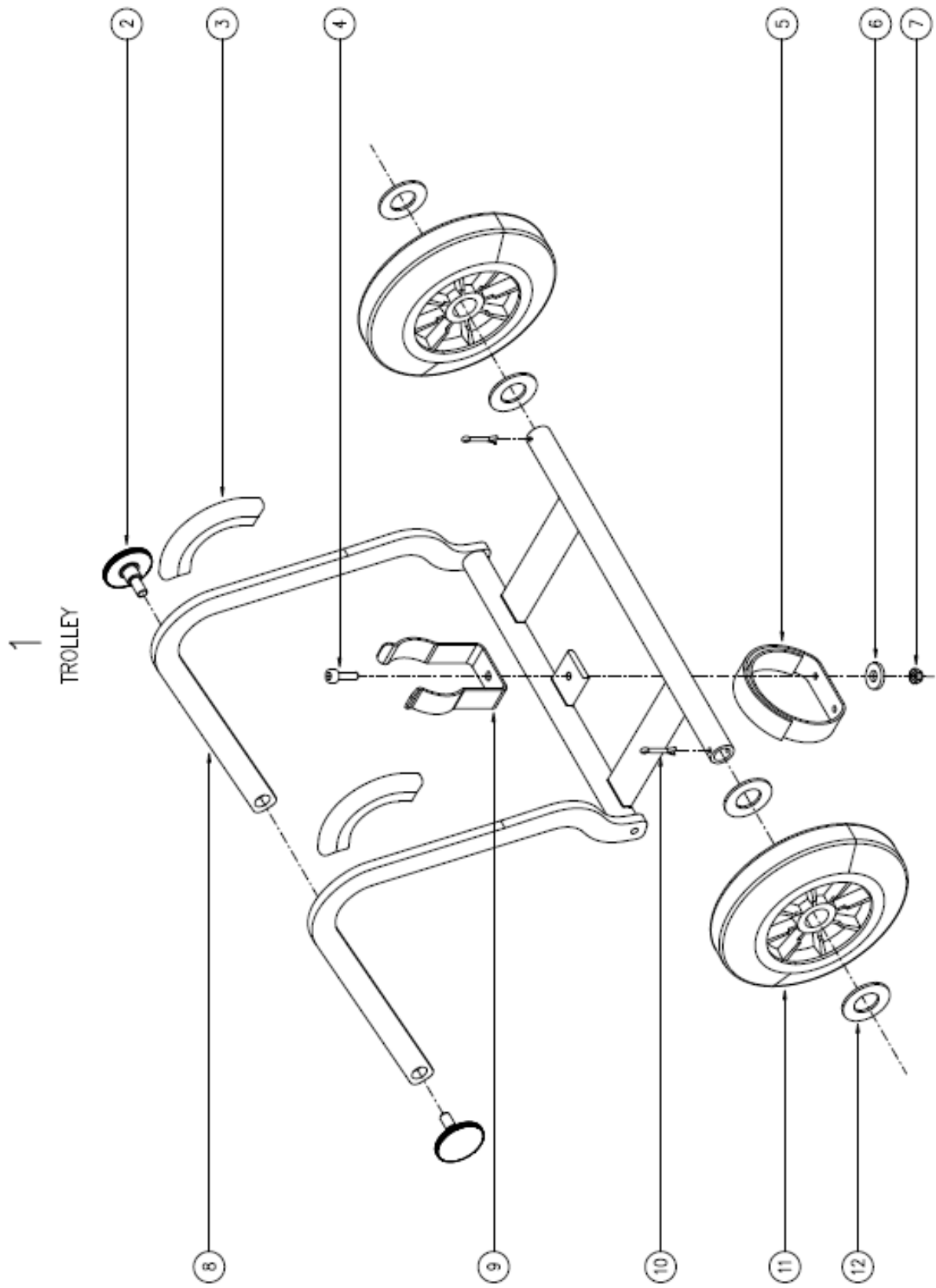
KT-BONA

Page 13/15

Januar2023

SPARE PARTS PAGE 13 of 15

ITEM	PART NUMBER	DESCRIPTION	Q.TY
1	ASK2099940249BKT	COMPLETE MOTOR 3.7KW 220V/60HZ	1
2	ASK5800230401	SCREW M4x8 CRPH (UNI 7687) (DIN 7985) GAL.	3
3	ASK2100030016	FLANGED PLUG 250V-30A FOR CABLE	1
4	ASK5800530501	SCREW M5x12 (UNI 7688) GALVANIZED	4
5	ASK2100030013	TWIST LOCK PLUG NEW ADAPTING PLATE	1
6	ASK5800330505	SCREW M5x20 (UNI 5931)	3
7	ASK5299940097	20A THERM.BREAKER+CAP+LABEL+NUT KIT	1
8	ASK2000040054BKT	CONTROL BOX COVER RAL 9006	1
9	ASK5800230402	SCREW M4x10 (UNI 7687) GALVANIZED	2
10	ASK2100040003	CONTACTOR PLATE	1
11	ASK5800230305	SCREW M3x20 CR.RE.PA.HE.(UNI 7687) GALV.	3
12	ASK2000030112	VOLTMETER BOARD	1
13	ASK7200030018	PRINTED CIRCUIT BOARD SPACER	4
14	ASK5800330515	SCREW M5x45 HEX.SOCK.H.C.(UNI 5931) GALV.	3
15	ASK2100040015BKT	CONTROL BOX RAL 9006	1
16	ASK5800530403	SCREW M4x30 CR.RE.FL.H.(UNI 7688) GAL.	4
17	ASK5802630008	KEY 6x6x32 (UNI 6604)	1
18	ASK2100030160BB	MOTOR DRILLED CAP BLUE RAL 5013	1
19	ASK2600030039	LIGHT FAN FOR MOTOR COOLING	1
20	ASK5100030675	NUT M10 SM45/2	1
21	ASK5100040675	DRIVE BELT TIGHTENING SCREW M10x70	1
22	ASK5100031056	CHANGE OVER SWITCH	1
23	ASK5800230402	SCREW M4x10 (UNI 7687) GALVANIZED	2
24	ASK7200030038	HOUR METER WITH DATA & INFO	1
25	ASK5802233002	INT.SERR.LOCK WASHER D5 (DIN 6798/J)	3
26	ASK5100030620	ALUMINIUM BLIND RIVET ø2.4x6	4
27	ASO996109	TRANSPARENT FILM 70x35	1
28	ASO996102	THERMAL TRANSFER LABEL 70x35 SILVER	1
29	ASK5100031336	NEUTRAL MOTOR PLATE	1
30	ASK5100030047	CONTACTOR BF16-10	1
31	ASK5802232001	INT.SERR.LOCK WASHER M4 ø4.3 (6798J)	2
32	ASO928060	RUBBER PROFILE ø6mm	1
33	ASK5802233002	INT.SERR.LOCK WASHER D5 (DIN 6798/J)	3
34	ASK5100030699	CAPACITOR 100µF 400V	1
35	ASK5100030691	CAPACITOR 50µF 550V DIAM.55mm	2
36	ASK5801531002	CONE P.GRUB SCREW M5x10 (UNI 5927)	1
37	ASK5803733006	SPRING PIN ø3x24 (DIN 1481)	1
38	ASK5100040785	THREADED CONICAL WASHER	1
39	ASK5100030668	SPRING INTERNAL ø10.6 LLA107	1
40	ASK5100040665	MOTOR SLEEVE	1
41	ASK5100030668	SPRING INTERNAL ø10.6 LLA107	1
42	ASK5100040667	MOTOR CONICAL WASHER	1
43	ASK5299940780	HANDGRIP WITH MOTOR TIE ROD	1
44	ASK2100030162BB	MOTOR UNDRILLED CAP BLUE RAL 5013	1
45	ASK5800530403	SCREW M4x30 CR.RE.FL.H.(UNI 7688) GAL.	4
46	ASK5802830001	SPLIT PIN ø1.5 L.20 (UNI 1336)	1
47	ASK5100030014	MOTOR TIE ROD	1
48	ASK5100030083	HANDWHEEL VCT.50 B-M8	1



Bona[®]

Belt UX
P/N: AMK173100



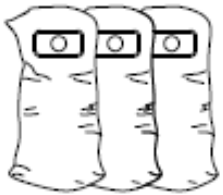
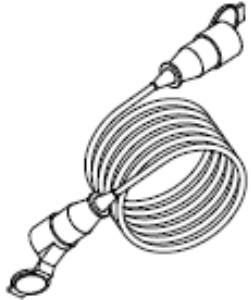
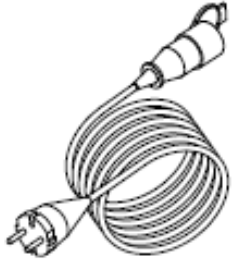
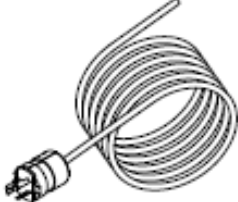
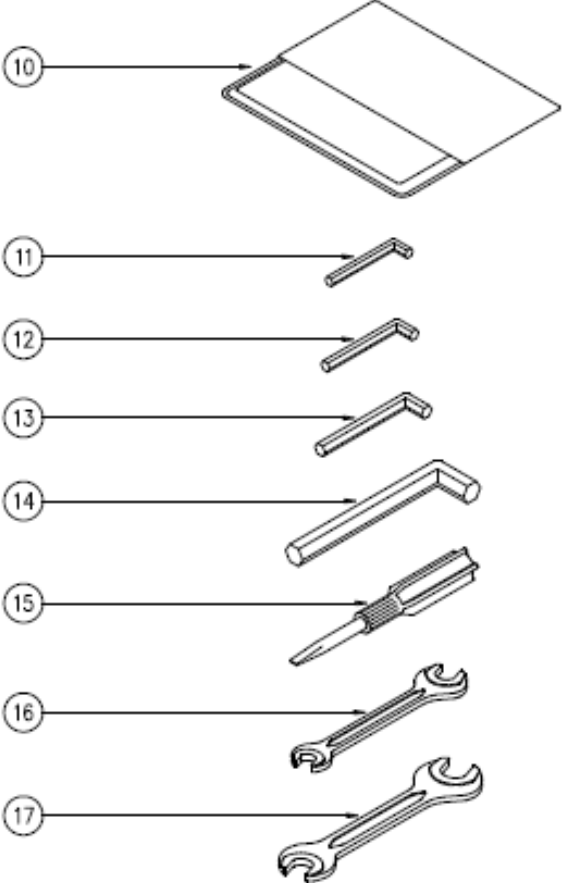
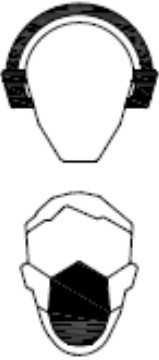
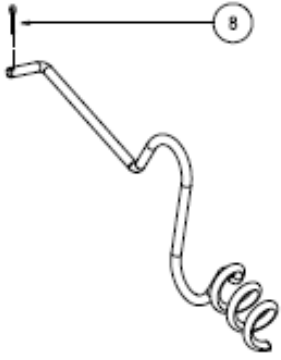
KT-BONA

Page 14/15

Januar2023

SPARE PARTS PAGE 14 of 15

ITEM	PART NUMBER	DESCRIPTION	Q.TY
1	ASK6999940005	TROLLEY FOR CAPRICORN/BELT HD/BELT UX	1
2	ASO995121	LOCKING HANDGRIP	2
3	ASO995125	POLYURETHANE FLOOR PROTECTION	2
4	ASK5800330605	SCREW M6x22 (UNI 5931)	1
5	ASO316020	VELCRO LOCK STRIP 400x20	1
6	ASK5100030244	WASHER ø8.5x20 TH.3 GALVANIZED	1
7	ASK5801936001	NUT M6 LOW SELF-LOCKING (DIN 985)	1
8	ASK6900030005	TROLLEY FRAME CAPRIC/BELT HD/BELT UX	1
9	ASK6900030007GO	TROLL.RUBB.SPRING CLIP	1
10	ASK5802730004	SPLIT PIN ø1.5 L.20 (UNI 1336)	2
11	ASO995123	WHEEL ø160mm FOR TROLLEY	2
12	ASK5802230010	SHIM RING ø21x37x3	2

<p>1 EU DUST BAG</p> 	<p>2 USA DUST BAG</p> 	<p>18 3 PAPER DUST BAG BLISTER</p>  <p>EXTRA ITEM</p>	<p>3 10 MT POWER CABLE EU 32A FOR 3KW</p> 
<p>4 10 MT POWER CABLE EU 16A FOR 2,2KW</p> 	<p>5 15 MT POWER CABLE USA 220V/60Hz</p> 	<p>9 TOOL BAG</p> 	
<p>6 FACE MASK + EAR CAPS</p> 	<p>7 CABLE AND DUST PIPE HOLDER</p> 		

SPARE PARTS PAGE 15 of 15

ITEM	PART NUMBER	DESCRIPTION	Q.TY
1	ASO991000	BIG DUST BAG WITHOUT ZIP-EU	1
2	ASO991001	BIG DUST BAG WITH ZIP-USA	1
3	ASK5100031282	EXT.LEAD 10M 3X2.5 SOCK./PL.CE 32A	1
4	ASO904014	CABLE EXTENSION 3X2.5 10M 1PH.	1
5	ASO904015	CABLE EXTENSION 1PH 3XAWG 15MT USA	1
6	ASO991232	FACE MASK-EAR CAPS	1
7	ASK2000030120	CABLE HOLDER F/REM.SUCT.PIPE	1
8	ASK5802830001	SPLIT PIN \varnothing 1.5 L.20 (UNI 1336)	1
9	ASK2099940052	TOOL BAG	1
10	ASK5100030920	VELCRO CANVAS TOOL BAG	1
11	ASO990604	ALLEN KEY N.4 GALVANIZED	1
12	ASK0200030299	ALLEN KEY N.5 GALVANIZED	1
13	ASK5100031085	ALLEN KEY N.6 GALVANIZED	1
14	ASK5100040150	ALLEN KEY N.12 130x20 GALVANIZED	1
15	ASK5100030145	DOUBLE ENDED SCREWDRIVER	1
16	ASK5100031021	SPANNER 10/13 GALVANIZED	1
17	ASK5100030147	SPANNER 14/17	1
18	ASK2900030142	N.3 PAPER DUST BAGS PACK	1