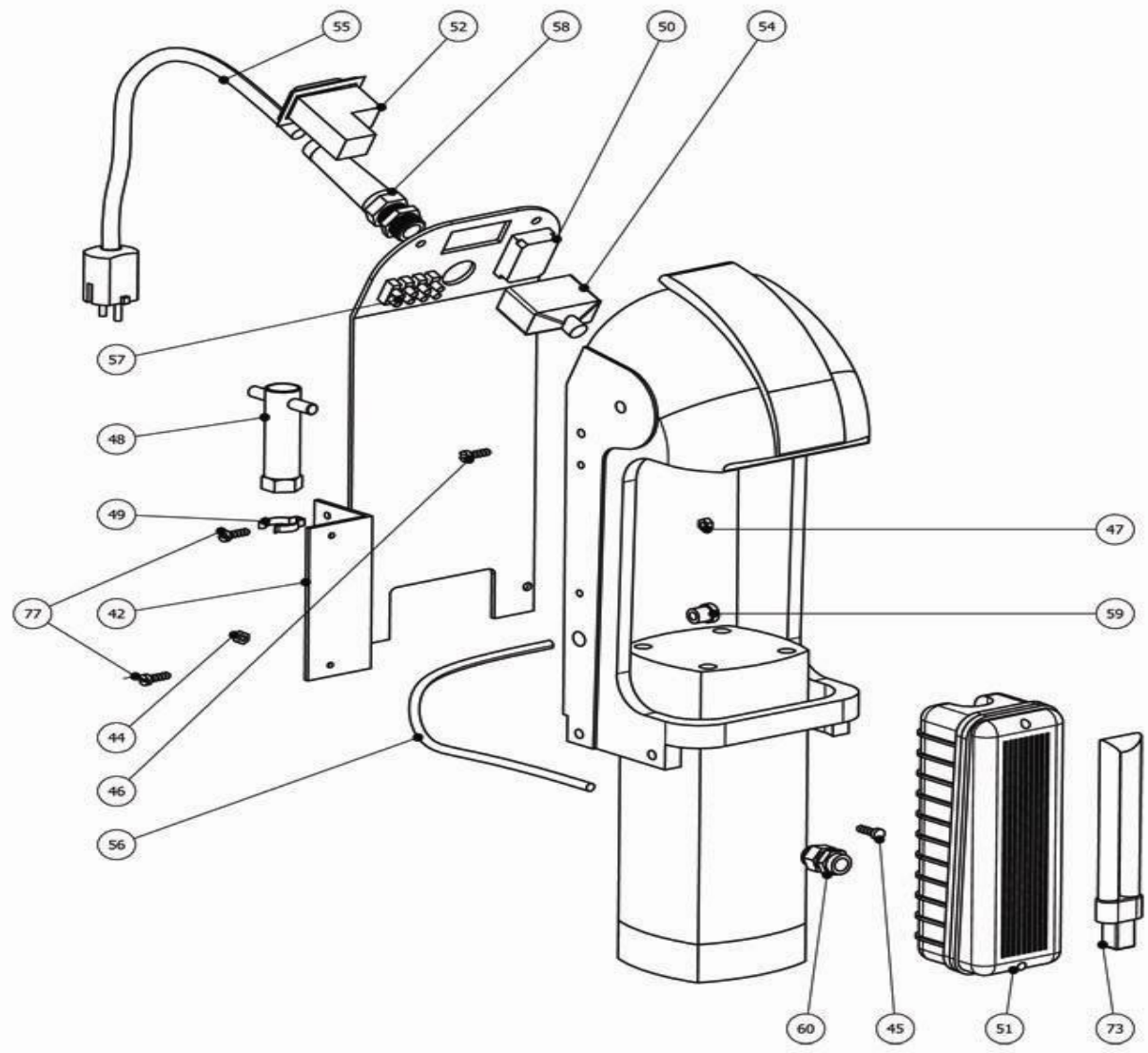


Edge old (before 2006) AMO230000.2 Edge electricity



Edge old (before 2006) AMO230000.2 Edge electricity

42 .	ASO233042	Lamp bracket
43 .	ASO965300	Washer 5,3X10X1 fzb
44 .	ASO962200	Nut-domed MHM M4 fzb
45 .	ASO950214	Screw MCS M4x12 fzb
46 .	ASO950316	Screw MCS M5x16 fzb
47 .	ASO960300	Nut M6M M5 fzb
48 .	ASO990717	Box spanner NV17
49 .	ASO945563	Clips WHA FZB 19-24
50 .	ASO903879	Soft start "Softy" 230V
51 .	ASO233400	Illumination compl 230V
52 .	ASO903876	Switch Viking 12 A 230V/50 Hz
54 .	ASO903877	Protection cover
55 .	ASO903880	Cable stand 230V
56 .	ASO908210	KABEL FÖR BELYSNING L=0,535 M
57 .	ASO903885	Terminal block
58 .	ASO903892	Screw cap with casing
59 .	ASO903894	Rubber inlet DI=7,0
60 .	ASO903895	Screw cap, black
62 .	ASO903893	Reducing
63 .	ASO903891	Locking nut 22,5 PG16
64 .	ASO965201	Washer 4,3X12X1 fzb
73 .	ASO907210	Lamp for Viking
77 .	ASO950314	Screw MCS M5x12 fzb