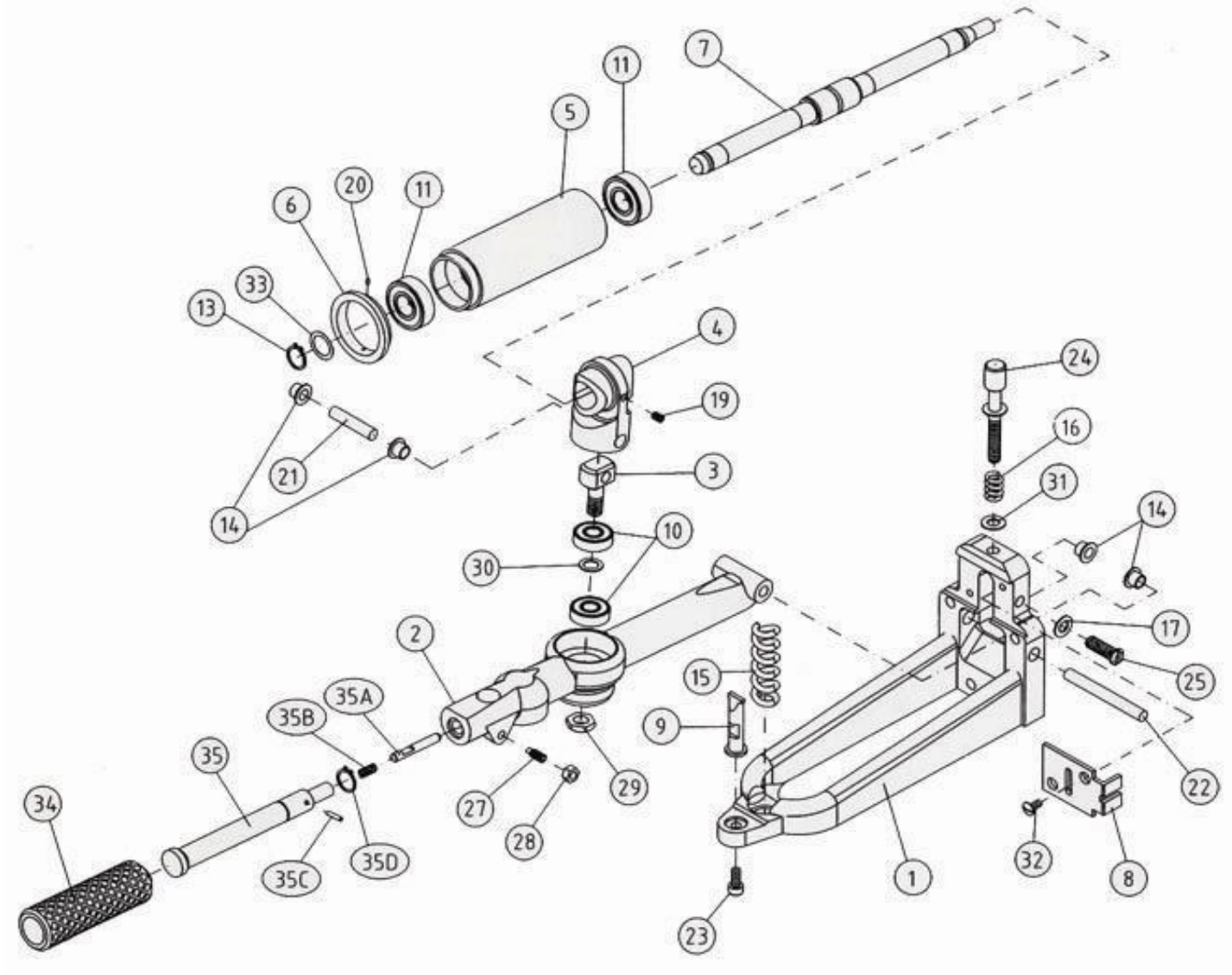


Bona Universal AMO110013.0 Universal tension device 200mm



Bona Universal AMO110013.0 Universal tension device 200mm

|       |           |                                |
|-------|-----------|--------------------------------|
| . .   | ASO113750 | Tension device 200 mm compl.   |
| . .   | ASO113821 | Tenson roller 200 mm,edge guid |
| . .   | ASO113831 | Tension roller w bearing 200   |
| 01 .  | ASO113701 | Bracket                        |
| 02 .  | ASO113752 | Arm 200 mm                     |
| 03 .  | ASO113703 | Link 23x40                     |
| 04 .  | ASO113704 | Balancing support              |
| 05 .  | ASO113821 | Tenson roller 200 mm,edge guid |
| 06 .  | ASO113706 | Edge guiding                   |
| 07 .  | ASO113757 | Axle 200 mm                    |
| 082 . | ASO113708 | Adjustment plate               |
| 09 .  | ASO113709 | Stop 15x45                     |
| 10 .  | ASO916000 | Ball bearing 6000-2RSH         |
| 11 .  | ASO916202 | Ball bearing 6202-2RSH/C3      |
| 13 .  | ASO930015 | Circlip ring SGA15             |
| 14 .  | ASO948008 | Sleeve BM 0808 tensioner rolle |
| 15 .  | ASO941080 | Spring TF 2,5x22x80            |
| 16 .  | ASO941027 | Spring TF 1,6xDM10x27          |
| 17 .  | ASO943500 | Spring 8,2x16x0,8              |
| 19 .  | ASO956312 | Screw MS 6SS M5X8              |
| 20 .  | ASO936009 | Spring pin FRP 2x4             |
| 21 .  | ASO935540 | Cylinder pin 8x40              |
| 22 .  | ASO935570 | Cylindric pin 8x70             |
| 23 .  | ASO952415 | Screw MC6S M6x14 fzb           |
| 24 .  | ASO113724 | Fine adjustment screw 14x80    |

|          |           |                              |
|----------|-----------|------------------------------|
| 25 .     | ASO113725 | Rough adjustment screw 12x28 |
| 27 .     | ASO957415 | Screw MT6SS M6X16            |
| 28 .     | ASO960400 | Nut M6M M6 fzb               |
| 29 .     | ASO960060 | Nut ML6M M10 fzb             |
| 30 .     | ASO968110 | Washer 10x16x1,0             |
| 31 .     | ASO965500 | Washer                       |
| 32 .     | ASO958082 | Screw LKCS steel 5X10 fzb    |
| 33 .     | ASO968305 | Spacer 15x21x0,5             |
| 34 .     | ASO113801 | Weight                       |
| 35 A-D . | ASO113805 | Arbor wrench with pin compl. |