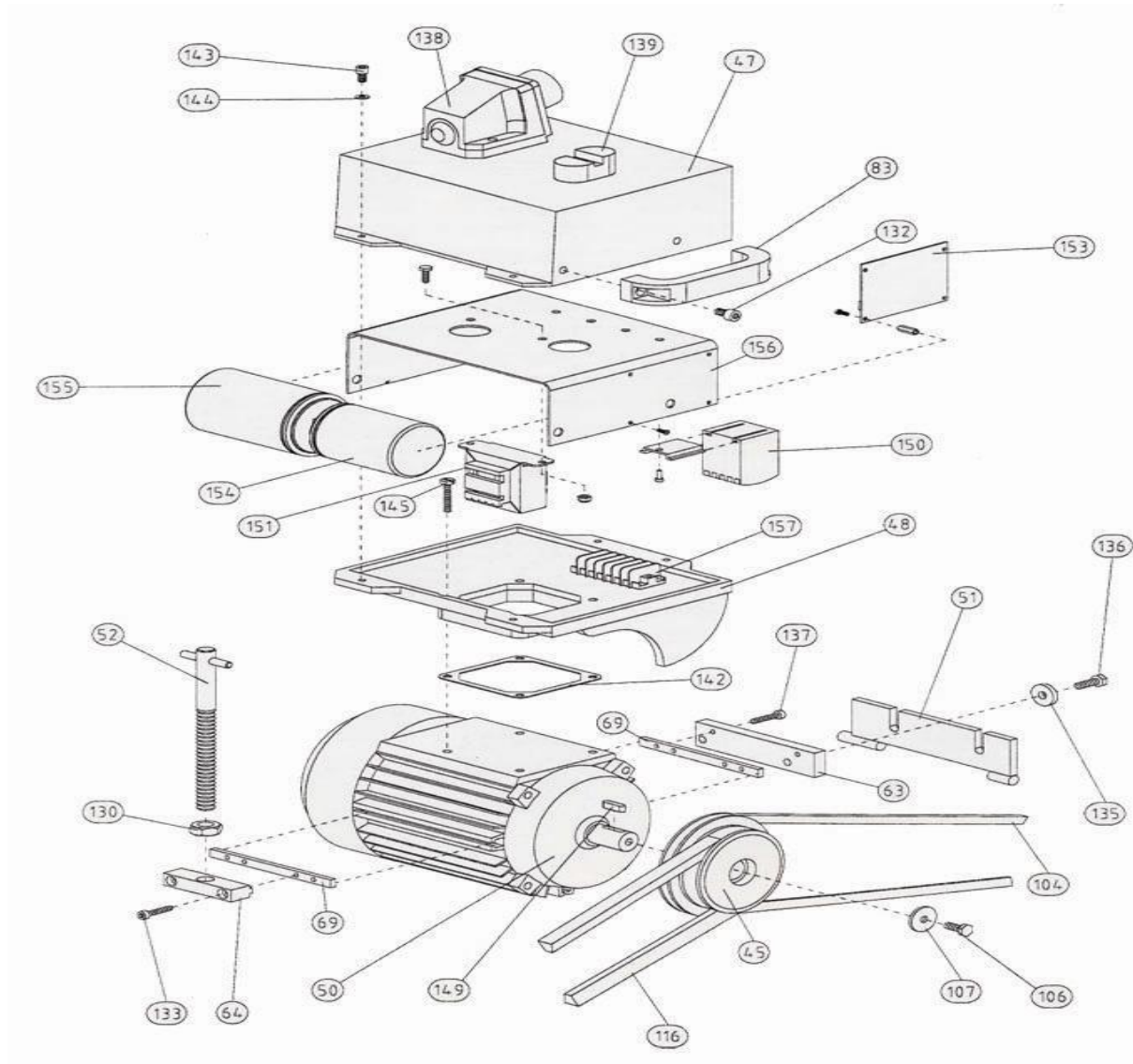


Bona Universal AMO110013.0 Universal Motor 1 ph duplex



Bona Universal AMO110013.0 Universal Motor 1 ph duplex

| | | |
|-------|-------------|--------------------------------|
| . | ASO115822.3 | Motor cap.box 1-ph Dup Poly-V |
| 045 . | ASO115245 | Motor pulley Poly-V |
| 047 . | ASO115147.3 | Cap.box cover grey |
| 048 . | ASO115148.3 | Base plate grey |
| 051 . | ASO115051 | Hinge for motor |
| 052 . | ASO115153 | Tensioner screw |
| 053 . | ASO945148 | Leaded link GN343.1 25-M8 KR |
| 054 . | ASO945144 | Locking knob WN730 T40-M8x20 |
| 063 . | ASO115163 | Intermediate plate |
| 064 . | ASO115164 | Front motor bracket |
| 069 . | ASO115169 | Mounting plate |
| 083 . | ASO945132 | Lifting handle motor |
| 104 . | ASO924260 | Poly-V-belt 260 J5, ventilator |
| 106 . | ASO951518 | Screw M6S M8x20 fzb |
| 107 . | ASO965001 | Washer 8,5 X 30 X 4 fzb |
| 116 . | ASO924328 | Poly-V-belt 328 drum |
| 130 . | ASO960900 | Nut M6M M16 fzb |
| 131 . | ASO958042 | Screw MPX-Z M4x6 |
| 132 . | ASO952515 | Screw MC6S M8x14 fzb |
| 133 . | ASO952420 | Screw MC6S M6x30 fzb |
| 134 . | ASO958046 | Screw MPX-Z M5x6 |
| 135 . | ASO965003 | Washer 8,2 X 26 X 5 fzb |
| 136 . | ASO951519 | Screw M6S M8x25 fzb |

| | | |
|-------|-----------|--------------------------------|
| 137 . | ASO952416 | Screw MC6S M6x16 fzb |
| 138 . | ASO903216 | Motor inlet 1-phase 3-pol |
| 139 . | ASO903752 | Switch compl.with the lamp |
| 141 . | ASO115170 | Rubber sealing |
| 142 . | ASO115242 | Rubber insert |
| 143 . | ASO952416 | Screw MC6S M6x16 fzb |
| 144 . | ASO968002 | Spacer DB 6x12,5x0,2 |
| 145 . | ASO958121 | Screw MRX M5x35 fzb Philips |
| 149 . | ASO932820 | Key 8x7x20 |
| 150 . | ASO903750 | Contactactor 5,5 kW 100-M12N |
| 151 . | ASO903763 | Relay 2CR for 2,2 kW 1-phase |
| 154 . | ASO903035 | Condensator 50 uF for 2,2 kW |
| 155 . | ASO903036 | Start condensator 160 uF |
| 50 . | ASO900190 | Motor 2,2 KW 220V 50 HZ compl. |