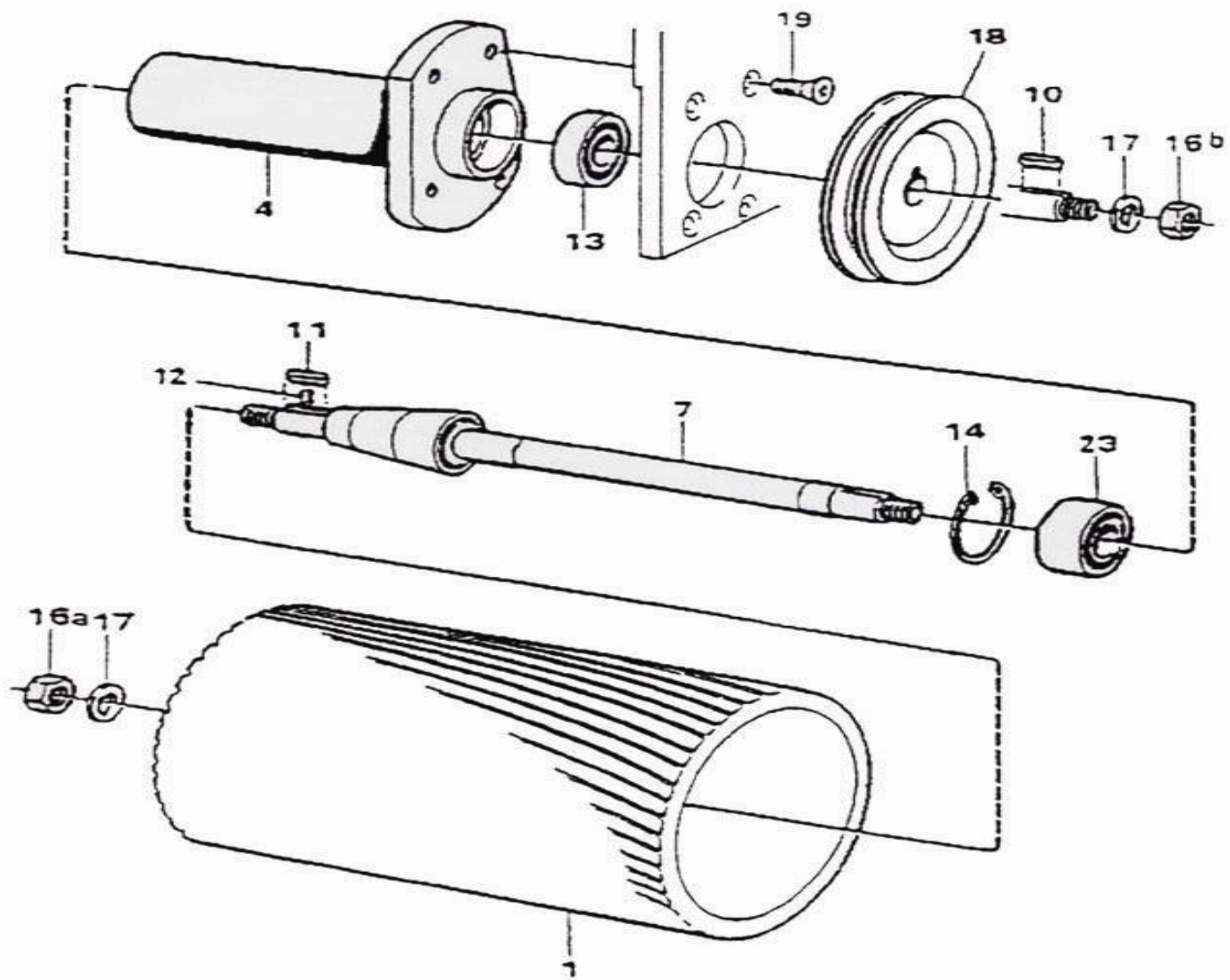


Bona Universal AM0001503 Universal drum 10"



Bona Universal AM0001503 Universal drum 10"

| | | |
|-------|-------------|--------------------------------|
| . | ASO112900 | Roller bearing housing compl. |
| 01 . | ASO112500.3 | Sanding drum 250mm Combered |
| 04 . | ASO112104 | Bearing housing |
| 07 . | ASO112107 | Drum shaft |
| 10 . | ASO932618 | Key 6x6x18 |
| 11 . | ASO932622 | Key 6x6x22 |
| 12 . | ASO936114 | Spring pin FRP 3x12 |
| 13 . | ASO916205 | Ball bearing 6205-2RSH |
| 14 . | ASO931052 | Circlip ring SGH52 |
| 16a . | ASO960800 | Nut M6M M14 (NV-22) fzb |
| 16b . | ASO960801 | Nut M6M M14 (NV-21) |
| 17 . | ASO965800 | Washer 15X26X2 fzb |
| 18 . | ASO112018 | Pulley, drum |
| 19 . | ASO953620 | Screw MF6S M10X30 |
| 23 . | ASO913205 | Ball bearing 3205A2RS1TN9/MT33 |