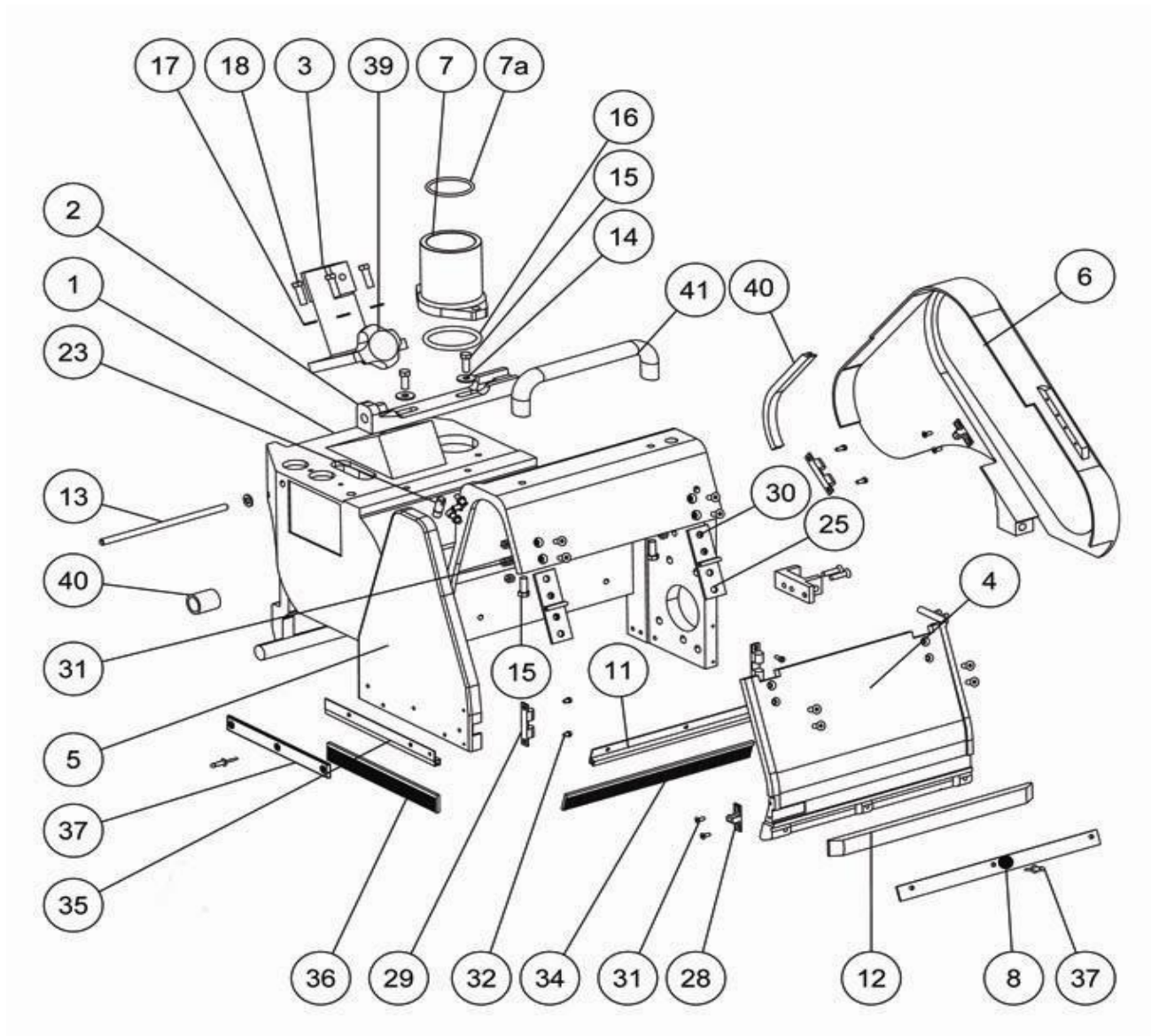


Bona Belt Previous Models AMO110025.3 Belt Chassis A



Bona Belt Previous Models AMO110025.3 Belt Chassis A

01 .	ASO111001.3	Chassis complete grey
02 .	ASO111041.3	Motor bracket rear grey
03 .	ASO111021.3	Handle bracket grey
05 .	ASO111600.3	Side cover compl. Grey
06 .	ASO111042.3	Belt cover grey
07 .	ASO111018.3	Tube holder grey
08 .	ASO111016.3	Finger plate
11 .	ASO929021	Profile front cover
12 .	ASO929041	Sealing strip
13 .	ASO111037	Shaft for tilt support
14 .	ASO968106	Washer 8,4x24x2 fzb
16 .	ASO928061	Rubber string 6x200 (cut)
17 .	ASO965500	Washer
18 .	ASO951519	Screw M6S M8x25 fzb
19 .	ASO953419	Screw MF6S M6X25
23 .	ASO111015.3	Hinge for the side cover
24 .	ASO960040	Nut ML6M M6 fzb
25 .	ASO111055.3	Hinge for front cover grey
26 .	ASO111038	Locking plate for tilt support
27 .	ASO929051	Rubber cap dia 26x3,5
28 .	ASO945160	Quick lock (Set)
29 .	ASO945160	Quick lock (Set)
30 .	ASO968002	Spacer DB 6x12,5x0,2

31 .	ASO954213	Screw MFS M4X10 fzb
32 .	ASO950211	Screw MCS M4x6 fzb
34 .	ASO929011	Dust brush front cover
35 .	ASO929022.3	Profile side cover
36 .	ASO929012.3	Dust brush
37 .	ASO111013	Sliding bar
39 .	ASO945145	Locking knob WN730 T50-M10x25
40 .	ASO929032	Sealing strip belt cover, rear
41 .	ASO945192	Handle CC-192 black