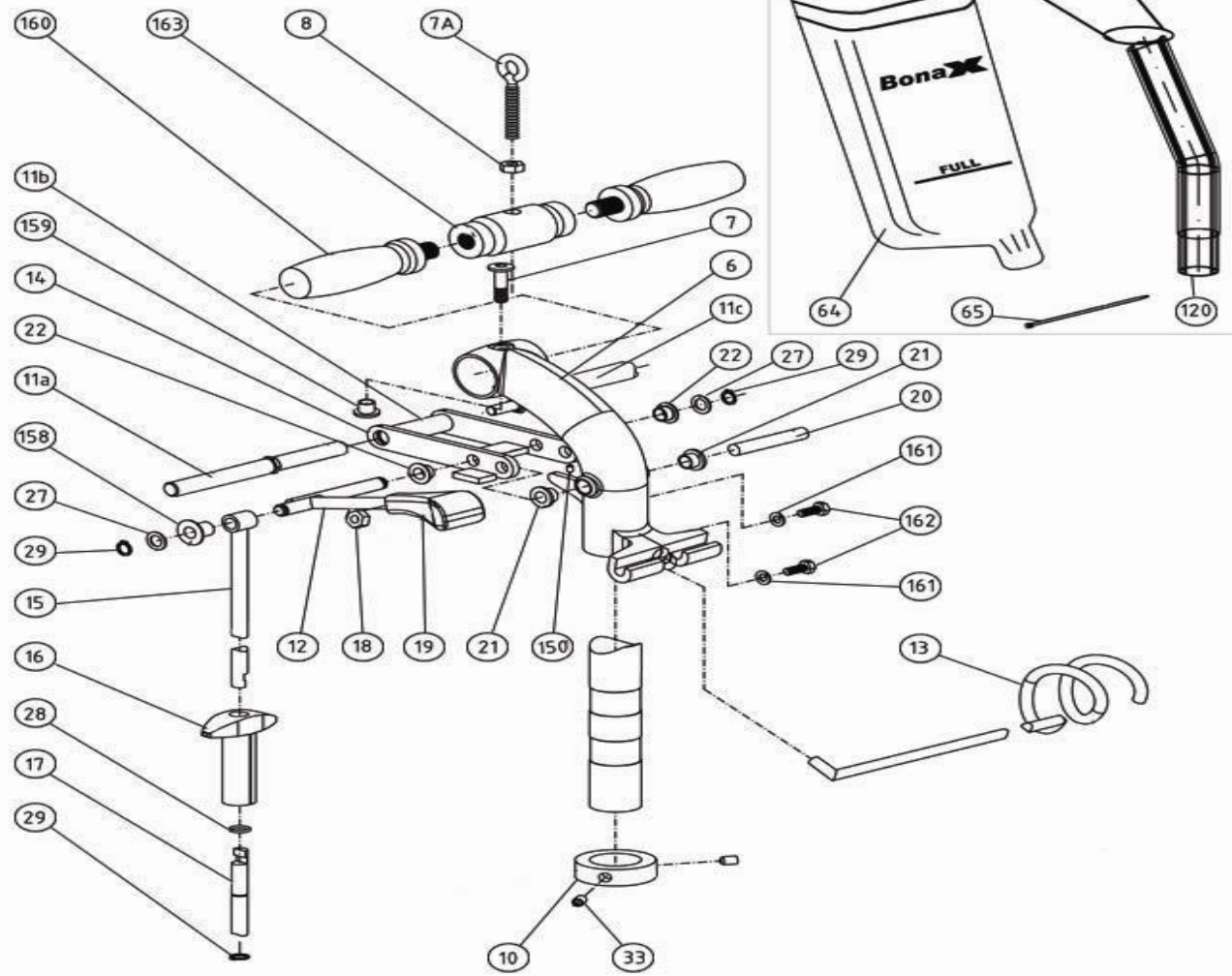


Bona Belt Previous Models AMO110019.3 Belt main handle



Bona Belt Previous Models AMO110019.3 Belt main handle

| | | |
|--------|-------------|--------------------------------|
| . | ASO156500.3 | Handle complete grey |
| . | ASO156510.3 | Working pressure handle black |
| . | ASO156511.3 | Working handle compl. Black |
| . | ASO156512.3 | Working pr.handle compl.black |
| 006 . | ASO156513.3 | Main handle bracket compl. |
| 007 . | ASO958020 | Hexagonal Screw MELC6S M8x30 |
| 008 . | ASO960500 | Nut M6M M8 fzb |
| 010 . | ASO116010 | Tube sleeve |
| 011a . | ASO156010.3 | Working handle plastic covered |
| 011b . | ASO156018 | Tube sleeve 51x51x1 |
| 011c . | ASO156017.3 | Working pressure handle short |
| 012 . | ASO156012 | Working pressure handle |
| 013 . | ASO991220 | Cable holder |
| 014 . | ASO156021 | Bracket working press. handle |
| 015 . | ASO156015 | Upper connection rod |
| 016 . | ASO116516 | Locking piece for rods compl. |
| 017 . | ASO118017 | Lower connection rod |
| 018 . | ASO960050 | Nut ML6M M8 fzb |
| 019 . | ASO156019.3 | Lever for handle, black |
| 020 . | ASO156020 | Axle dia 10x61 |
| 021 . | ASO948010 | Plain bearing BM1008, shaft |
| 022 . | ASO948006 | Plain bearing BM1006xF18 FB |
| 027 . | ASO968105 | Washer 10x16x0,5 |
| 028 . | ASO927009 | O-ring 9,3x2,4 |

| | | |
|-------|-------------|--------------------------------|
| 029 . | ASO930010 | Circlip ring SGA10 |
| 033 . | ASO955512 | Screw MSK6SS M8X8 |
| 064 . | ASO991001.3 | Dust bag GM/GMU |
| 065 . | ASO945730 | Cable tie, can be open.TYL300M |
| 120 . | ASO116600.3 | Dust tube complete |
| 150 . | ASO955210 | Screw MSK6SS M4X5 |
| 158 . | ASO948015 | Plain bearing BM1006xF18 FB |
| 159 . | ASO963400 | Collar nut socket head M8 |
| 160 . | ASO116011.3 | Plastic handle black |
| 161 . | ASO960400 | Nut M6M M6 fzb |
| 162 . | ASO951416 | Screw M6S M6x16 fzb |
| 163 . | ASO156022.3 | Handle bracket |