

66.999.5.0020BKT - NOVA 2 LED COMBI EDGE SHORT 230-240V/50Hz R. 9006
 66.999.5.0026BKT - NOVA 2 LED COMBI EDGE SHORT 115V/60Hz RAL 9006
 66.999.5.0028BKT - NOVA 2+L LED COMBI EDGE SHORT+LONG 230/50 R.9006

66.999.5.0021BKT - NOVA 2L LED COMBI EDGE LONG 230-240V/50Hz R. 9006
 66.999.5.0027BKT - NOVA 2L LED COMBI EDGE LONG 115V/60Hz RAL 9006
 66.999.5.0029BKT - NOVA 2+L LED COMBI EDGE SHORT+LONG 115/60 R.9006



KUNZLE & TASIN
 Via CAJKOVSKIJ 14-20092-CINISELLO BALSAMO (MI)
 TEL. 02/66040930 FAX 02/66013445

NOVA2 Combi Edge

230-240V/50Hz - 115V/60Hz

KT-BONA

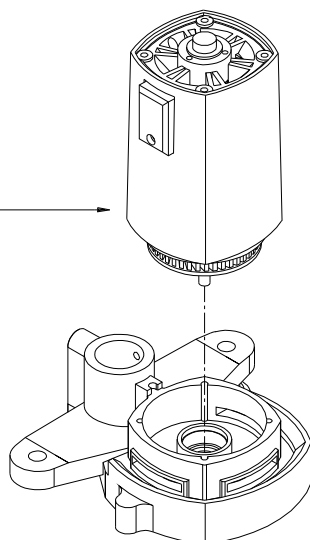
PAGE 1/6

MAY 2015

68.999.4.0028

MOTOR + CONVEYOR
230-240V/50Hz

66.000.3.0030
MOTOR 230-240V/50Hz
66.000.3.0074
UL MOTOR 115V/60Hz



68.999.4.0029

MOTOR + CONVEYOR
115V/60Hz

66.000.4.0001NO
CONVEYOR

66.000.3.0030

MOTOR 230-240V/50Hz

66.000.3.0074

UL MOTOR 115V/60Hz

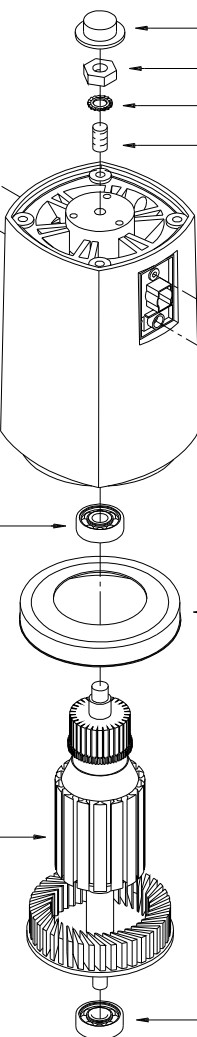
58.002.3.0404
N°2 SELF-LOCKING SCREW (VTCIC) M4x12

66.000.3.0039
N°2 CARBON BRUSH

66.000.3.0045 230-240V/50Hz
66.000.3.0057 115V/60Hz

58.040.3.5003
BEARING 629 2RS

66.000.3.0036 230-240V/50Hz
66.000.3.0024 115V/60Hz UL



66.000.3.0041

LOW NUT M8 58.019.3.4001

NOTCHED WASHER M8 58.022.3.2004

GRAIN M8x14 58.015.3.0007

58.022.3.2001
N°2 NOTCHED WASHER M4

58.002.3.0405
N°2 SELF-LOCKING SCREW (VTCIC) M4x6

66.000.3.0038

66.000.3.0040

58.040.3.5004
BEARING 6201 2RS



KUNZLE & TASIN
Via CAJKOVSKIJ 14-20092-CINISELLO BALSAMO (MI)
TEL. 02/66040930 FAX 02/66013445

NOVA2 Combi Edge

230-240V/50Hz - 115V/60Hz

KT-BONA

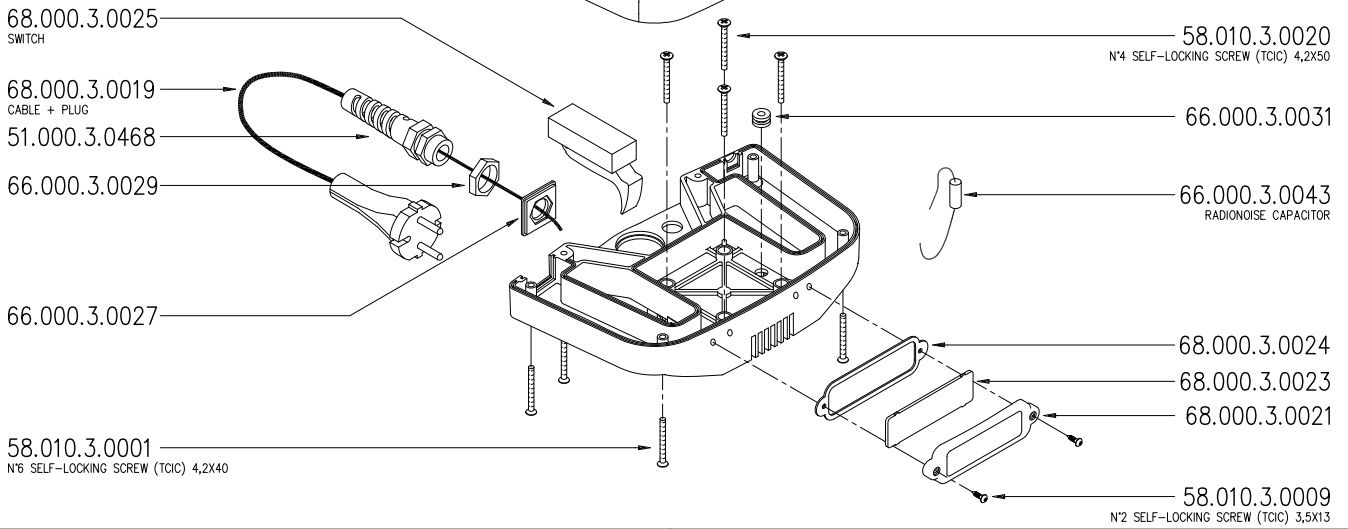
PAGE 2/6

MAY 2015

COMPLETE HANDLE

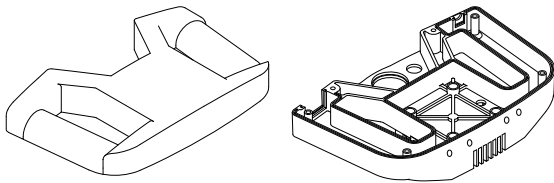
230-240V/50Hz

NO LED



66.999.4.0033

HANDLE SHELLS UL (pair only)

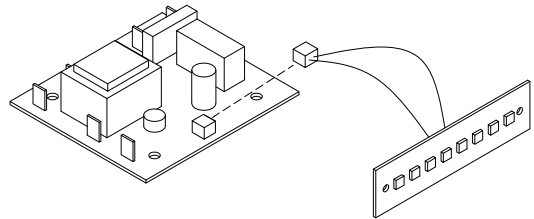


68.999.4.0053

LED CARD GROUP 230V/50Hz

68.999.4.0054

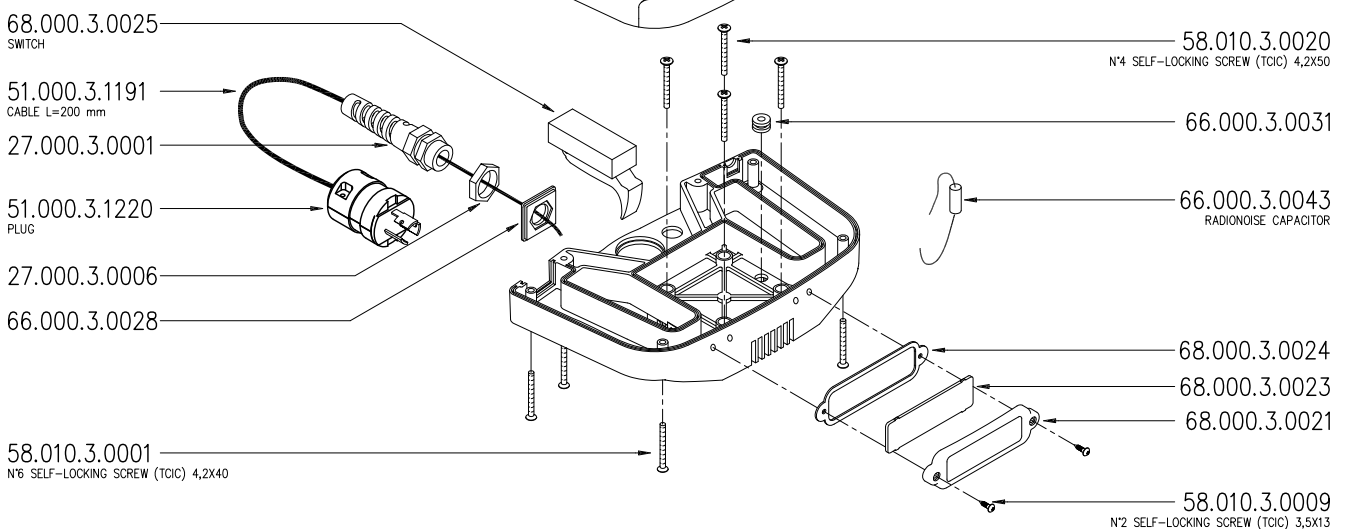
LED CARD GROUP 115V/60Hz



COMPLETE HANDLE

115/60Hz

NO LED



KUNZLE & TASIN
Via CAJKOVSKIJ 14-20092-CINISELLO BALSAMO (MI)
TEL. 02/66040930 FAX 02/66013445

NOVA2 Combi Edge

230-240V/50Hz - 115V/60Hz

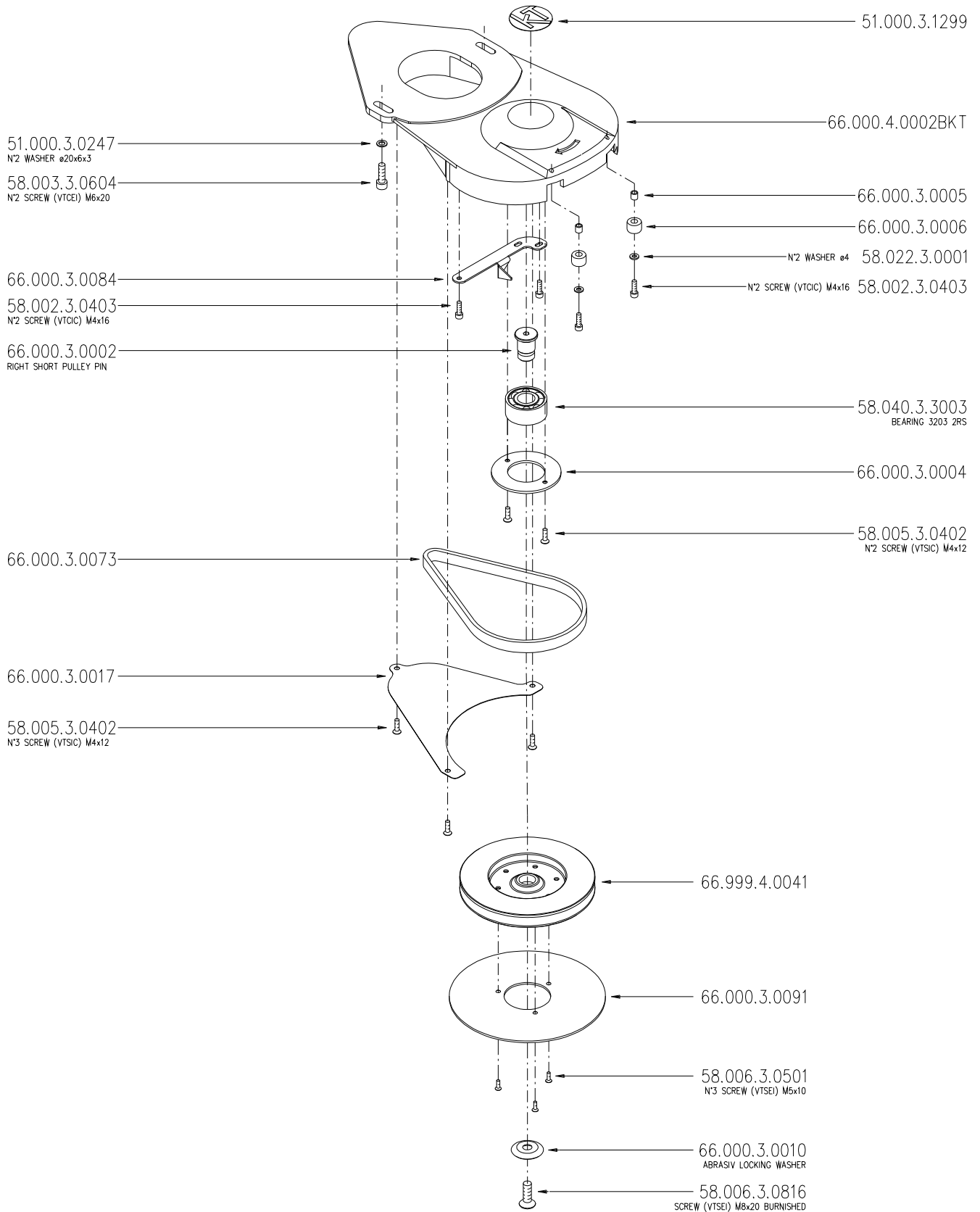
KT-BONA

PAGE 3/6

MAY 2015

66.999.4.0023BKT

COMPLETE SHORT ARM RAL 9006



KUNZLE & TASIN
Via CAJKOVSKIJ 14-20092-CINISELLO BALSAMO (MI)
TEL. 02/66040930 FAX 02/66013445

NOVA2 Combi Edge

230-240V/50Hz - 115V/60Hz

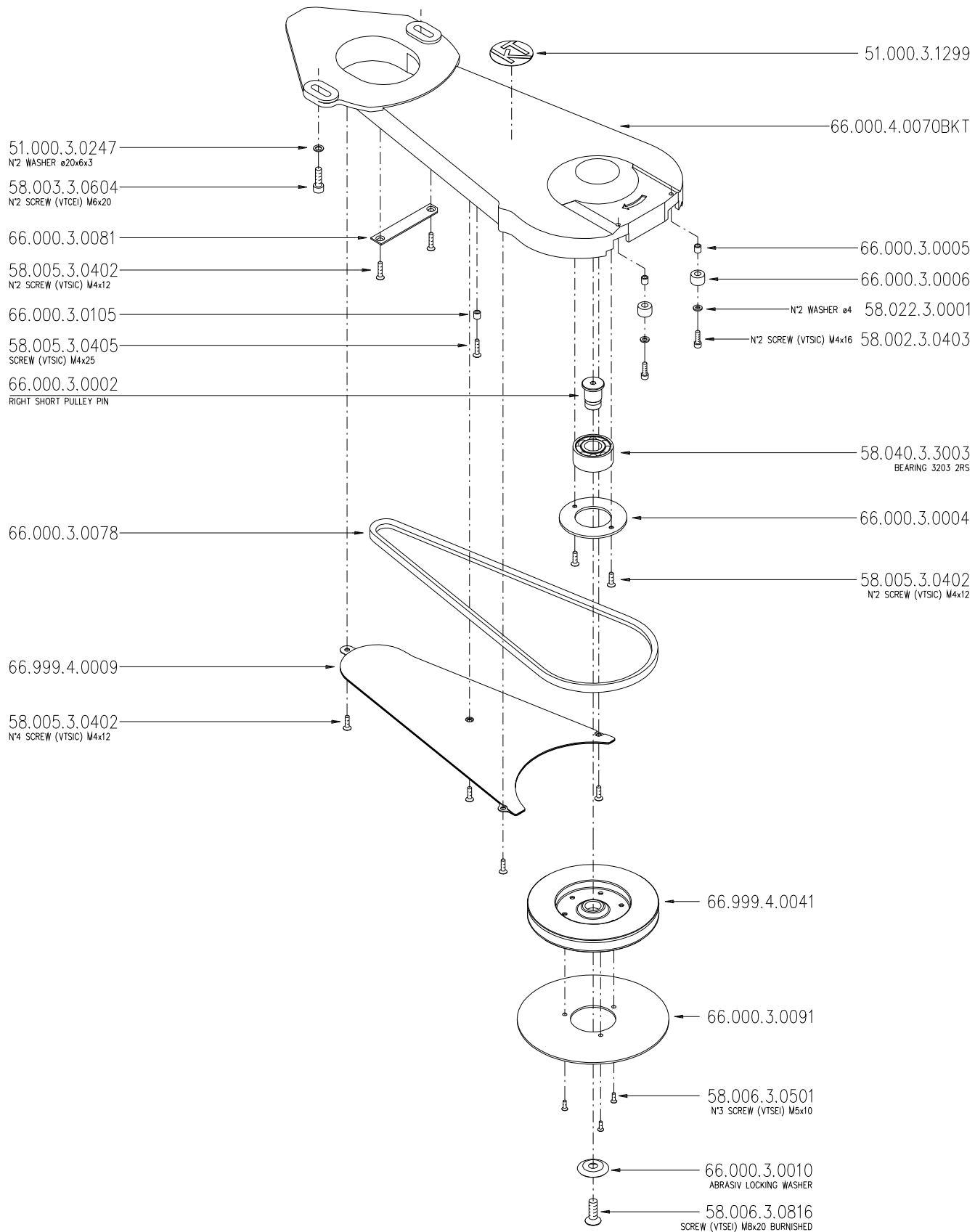
KT-BONA

PAGE 4/6

MAY 2015

66.999.4.0024BKT

COMPLETE LONG ARM RAL 9006



KUNZLE & TASIN
Via CAJKOVSKIJ 14-20092-CINISELLO BALSAMO (MI)
TEL. 02/66040930 FAX 02/66013445

NOVA2 Combi Edge

230-240V/50Hz - 115V/60Hz

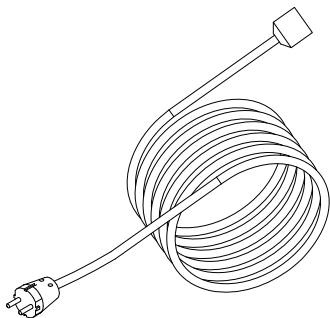
KT-BONA

PAGE 5/6

MAY 2015

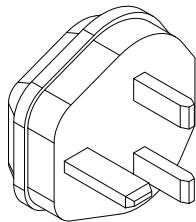
29.000.3.0115

7 MT 3x2,5 MM POWER CABLE
(SCHUKO SOCKET AND PLUG)



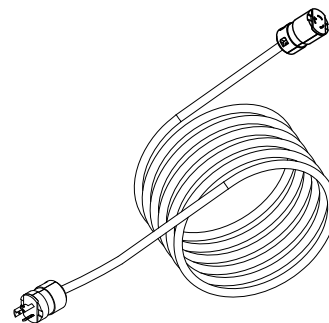
51.000.3.1283

PLUG ADAPTER 13A UK



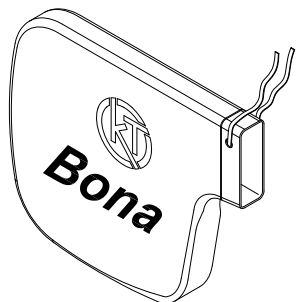
AS0904025

10 MT (USA) POWER CABLE
115V/60Hz



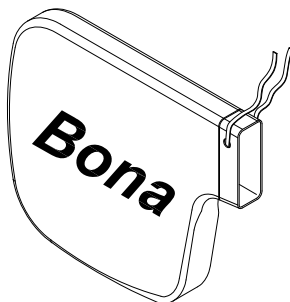
AS0992003

FABRIC DUST BAG (UE)



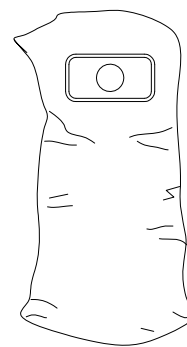
AS0992002

FABRIC DUST BAG (USA)



66.000.3.0142

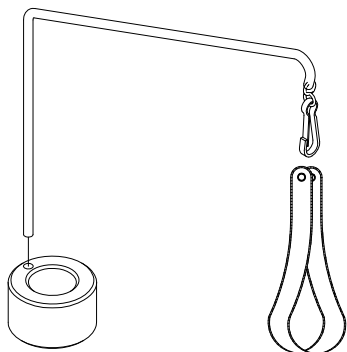
3 PAPER DUST BAGS BLISTER



EXTRA ITEM

66.999.4.0142

PAPER BAG HOLDING BAR GROUP

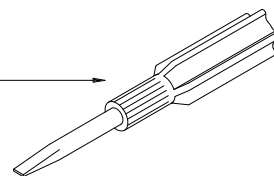


EXTRA ITEM

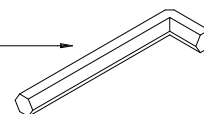
66.999.4.0020

TOOL BAG

51.000.3.0145
REVERSIBLE SCREW DRIVER



02.000.3.0299
ALLEN WRENCH 5



KUNZLE & TASIN
Via CAJKOVSKIJ 14-20092-CINISELLO BALSAMO (MI)
TEL. 02/66040930 FAX 02/66013445

NOVA2 Combi Edge

230-240V/50Hz - 115V/60Hz

KT-BONA

PAGE 6/6

MAY 2015